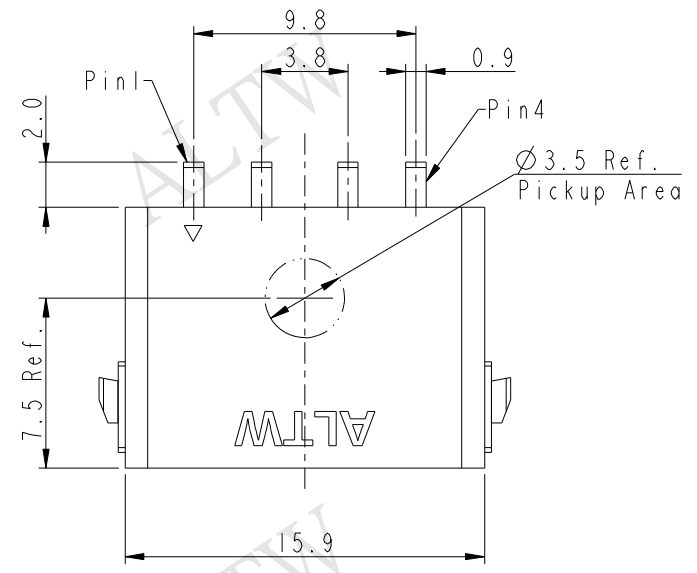
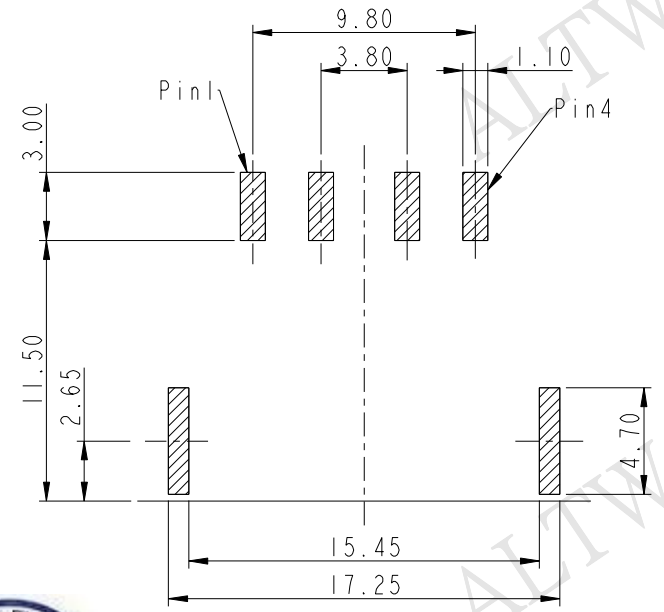


THIS DOCUMENT IS SUBJECT TO CHANGE WITHOUT NOTICE. IT IS CONFIDENTIAL AND A PROPERTY OF Amphenol LTW. DISCLOSURE TO THIRD PARTY HAS TO BE AUTHORIZED BY Amphenol LTW.

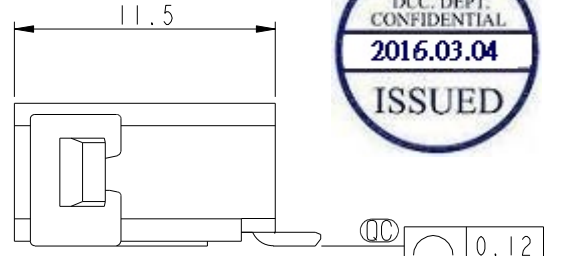
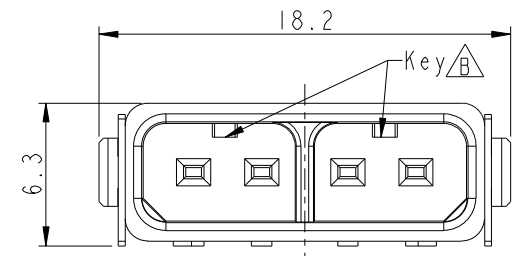
REV.	ECN NO.	DATE	SIGN	DESCRIPTION
A	Initial Release	2015-03-20	Fisher	Initial Release
B	LEN15B0001	2015-11-04	Fisher	Design Change, Add Key
C	LEN1620282	2016-02-29	Fisher	Update label



**ALTW**  
 CONFIDENTIAL  
 2016-02-29  
 R&D DEPT.



**RECOMMENDED PCB LAYOUT**  
 GENERAL TOLERANCE IS  $\pm 0.05$



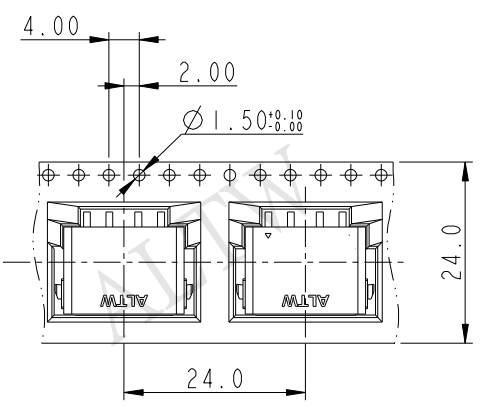
**ALTW**  
 DCC. DEPT.  
 CONFIDENTIAL  
 2016.03.04  
 ISSUED

- Notes:
- \*  $\text{QC}$  Important Dimension To Check.
  - \* Waterproof Rate: IP68(mating)  
IM Depth Of Water In 24 Hours.
  - \* Housing: High temperature thermoplastic.  
UL94V-0, color is natural white.
  - \* Terminal: Copper Alloy, Gold plated.
  - \* Solder Peg: Copper Alloy, Tin plated.
  - \* Current Rating: 5A maximum.
  - \* Voltage Rating: 250V AC/DC maximum.
  - \* Operating Temperature: -40 ~ +105°C

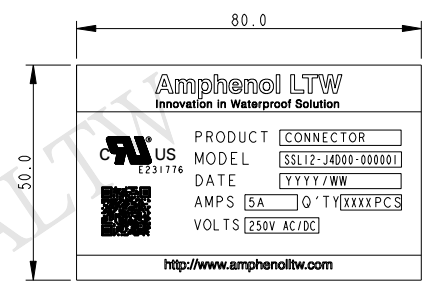
UNIT: mm TOLERANCE .X $\pm 0.25$ .XX $\pm 0.1$ .XXX $\pm 0.05$ ANGLES $\pm 1^\circ$		TITLE		ITEM NO		DRAWN BY		DATE	
		SSL1.2 4P R/A SMT JACK CONN.		SSL12-J4D00-000001		Fisher_Wang		2016-02-29	
		SCALE	SIZE	SHEET	OF	DWG NO	CHECKED BY	DATE	
3:1	A4	1	2	SSL12-J4D00-000001	Victor_Hung	2016-02-29			
REV.	WC-REV.	$\text{QC}$ : Inspection item		CUSTOMER	APPROVED BY	DATE			
C	A.1			ALTW	Kevin_Hu	2016-02-29			

**Amphenol LTW**  
 安費諾亮泰企業股份有限公司

THIS DOCUMENT IS SUBJECT TO CHANGE WITHOUT NOTICE. IT IS CONFIDENTIAL AND A PROPERTY OF Amphenol LTW. DISCLOSURE TO THIRD PARTY HAS TO BE AUTHORIZED BY Amphenol LTW.



Print content of Label



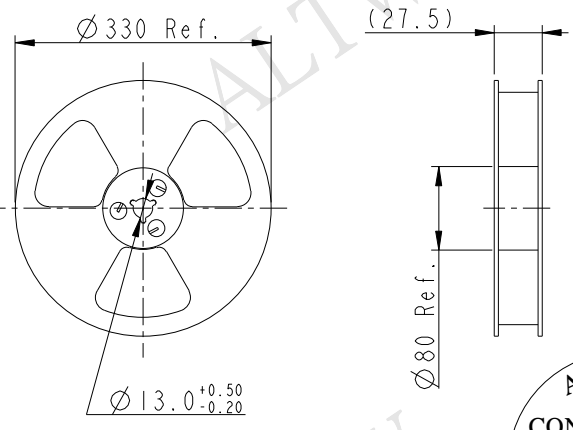
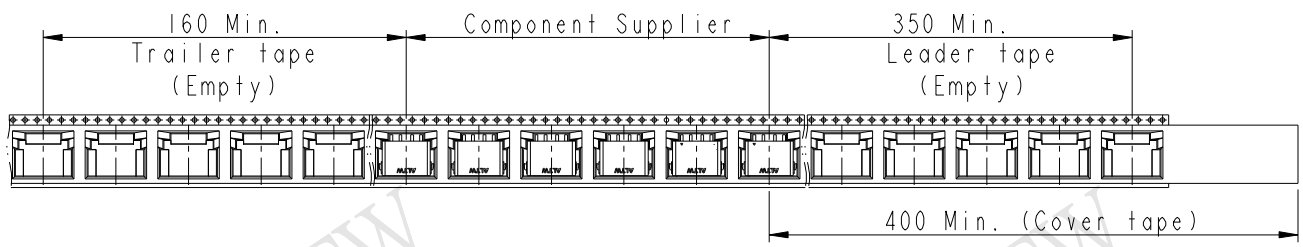
**MATERIALS**

1. Carrier Tape: Polystyren (PS)
2. Cover Tape: Polystyren (PS)
3. Reel: Polystyren (PS)

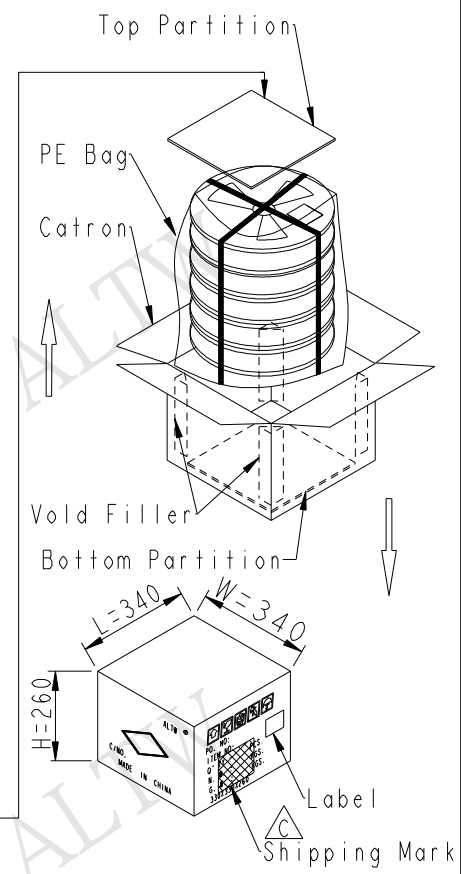
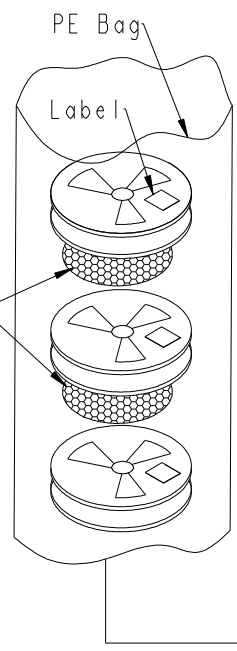
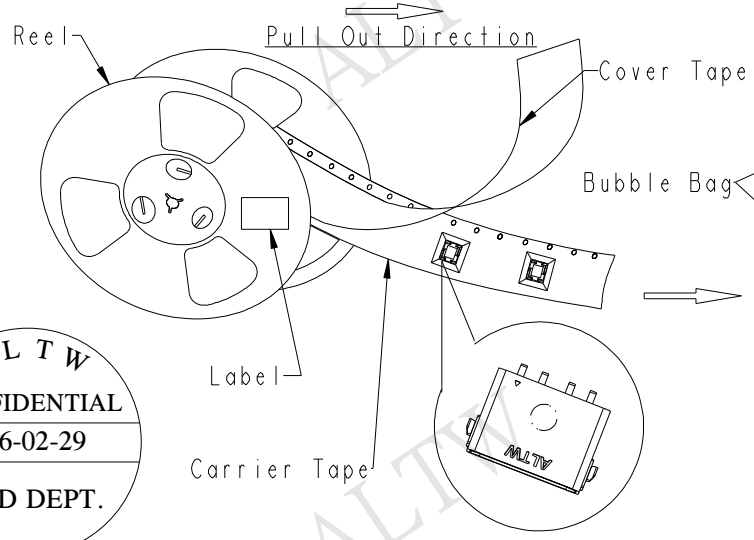
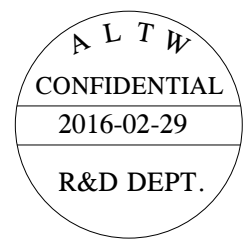
**QUANTITY**

1. 300Pcs Per Reel
2. 8 Reel Per Carton (2400Pcs/Carton)
3. Reference Standard: EIA-481-D
4. Net Weight: 2.7Kg/Carton
5. Gross Weight: 7.9Kg/Carton

Pull Out Direction



Reel For Carrier Tape



UNIT: mm		
TOLERANCE	.X ±0.25	
	.XX ±0.1	
	.XXX ±0.05	
ANGLES	±1°	

TITLE SSL1.2 4P R/A SMT JACK CONN.		
SCALE Free	SIZE A4	SHEET 2 OF 2
REV. C	WC-REV. A.4	Inspection item

**Amphenol LTW**  
安費諾亮泰企業股份有限公司

ITEM NO SSL12-J400-000001	DRAWN BY Fisher_Wang	DATE 2016-02-29
DWG NO SSL12-J400-000001	CHECKED BY Victor_Hung	DATE 2016-02-29
CUSTOMER ALTW	APPROVED BY Kevin_Hu	DATE 2016-02-29

DATE 2016-02-29	DATE 2016-02-29	DATE 2016-02-29
--------------------	--------------------	--------------------