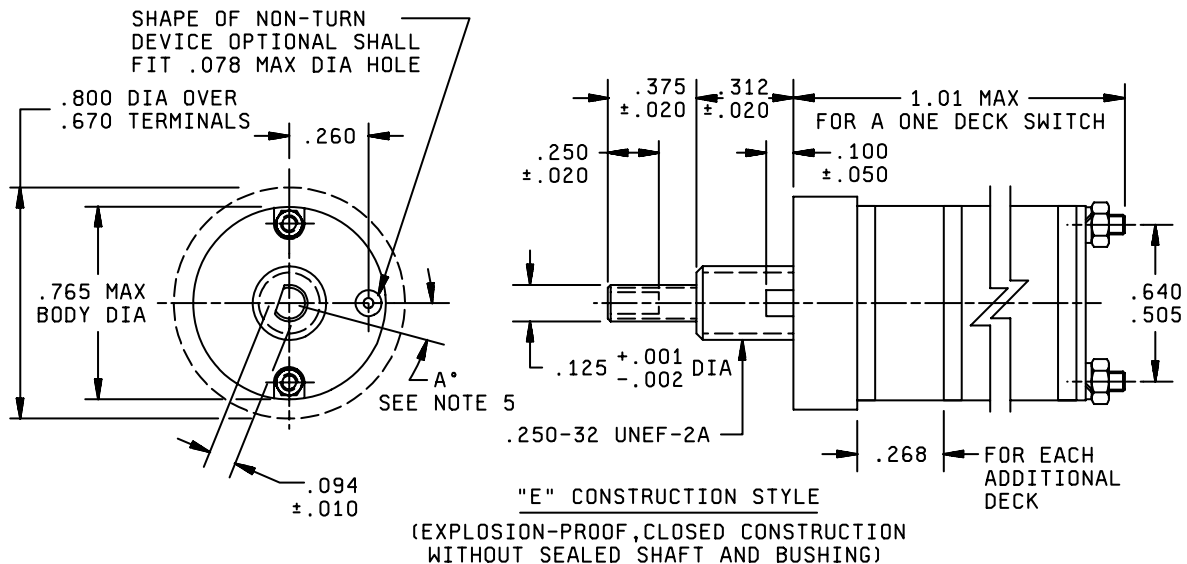


DETAIL SPECIFICATION SHEET

SWITCH, ROTARY, CLOSED CONSTRUCTION,
500 AMPERE, STYLE SR13

This specification sheet is approved for use by all
Departments and Agencies of the Department of Defense.

The requirements for acquiring the product described herein shall consist of this
specification sheet and MIL-DTL-3786.

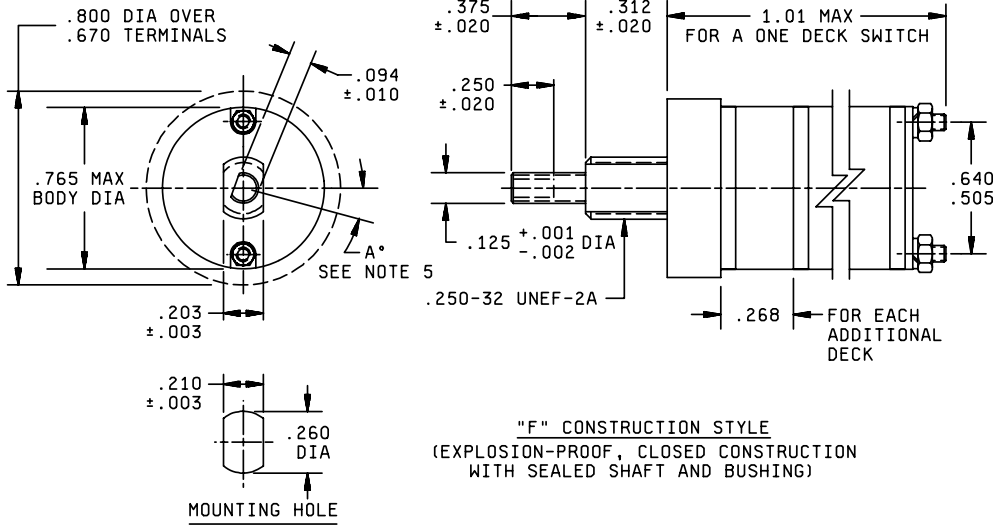


NOTES:

1. Dimensions are in inches.
2. Metric equivalents are given for general information only.
3. Unless otherwise specified, tolerances are $\pm .015$ (0.38 mm) and $\pm 3^\circ$ on angles (nonaccumulative).
4. Maximum weight: one deck switch is 19 grams. Add 2.5 max grams for each additional deck and based upon 1 oz. = 28.35 grams.
5. Shaft-flat angle A° is the angle between a line through the center of the shaft, perpendicular to the mounting bushing flats and another line through the center of the shaft and perpendicular to the shaft flat, with switch in position No. 1. This refers to panel position; see figure 2 for terminal location.

FIGURE 1. Style SR13 switch.

MIL-DTL-3786/13G



"F" CONSTRUCTION STYLE
(EXPLOSION-PROOF, CLOSED CONSTRUCTION
WITH SEALED SHAFT AND BUSHING)

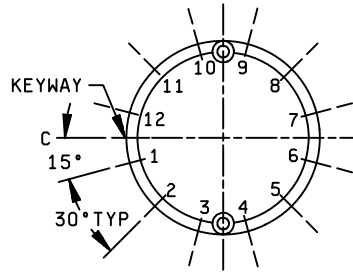
Inches	mm	Inches	mm	Inches	mm
.001	0.03	.203	5.16	.375	9.53
.002	0.05	.210	5.33	.505	12.83
.010	0.25	.250	6.35	.640	16.26
.020	0.51	.260	6.60	.670	17.02
.094	2.39	.268	6.81	.765	19.43
.125	3.18	.312	7.92	.800	20.32
				1.010	25.65

NOTES:

1. Dimensions are in inches.
2. Metric equivalents are given for general information only.
3. Unless otherwise specified, tolerances are ±.015 (0.38 mm) and ±3° on angles (nonaccumulative).
4. Maximum weight: one deck switch is 19 grams. Add 2.5 max grams for each additional deck based upon 1 oz = 28.35 grams.
5. Shaft-flat angle A° is the angle between a line through the center of the shaft, perpendicular to the mounting bushing flats and another line through the center of the shaft and perpendicular to the shaft flat, with switch in position No. 1. This refers to panel position; see figure 2 for terminal location.

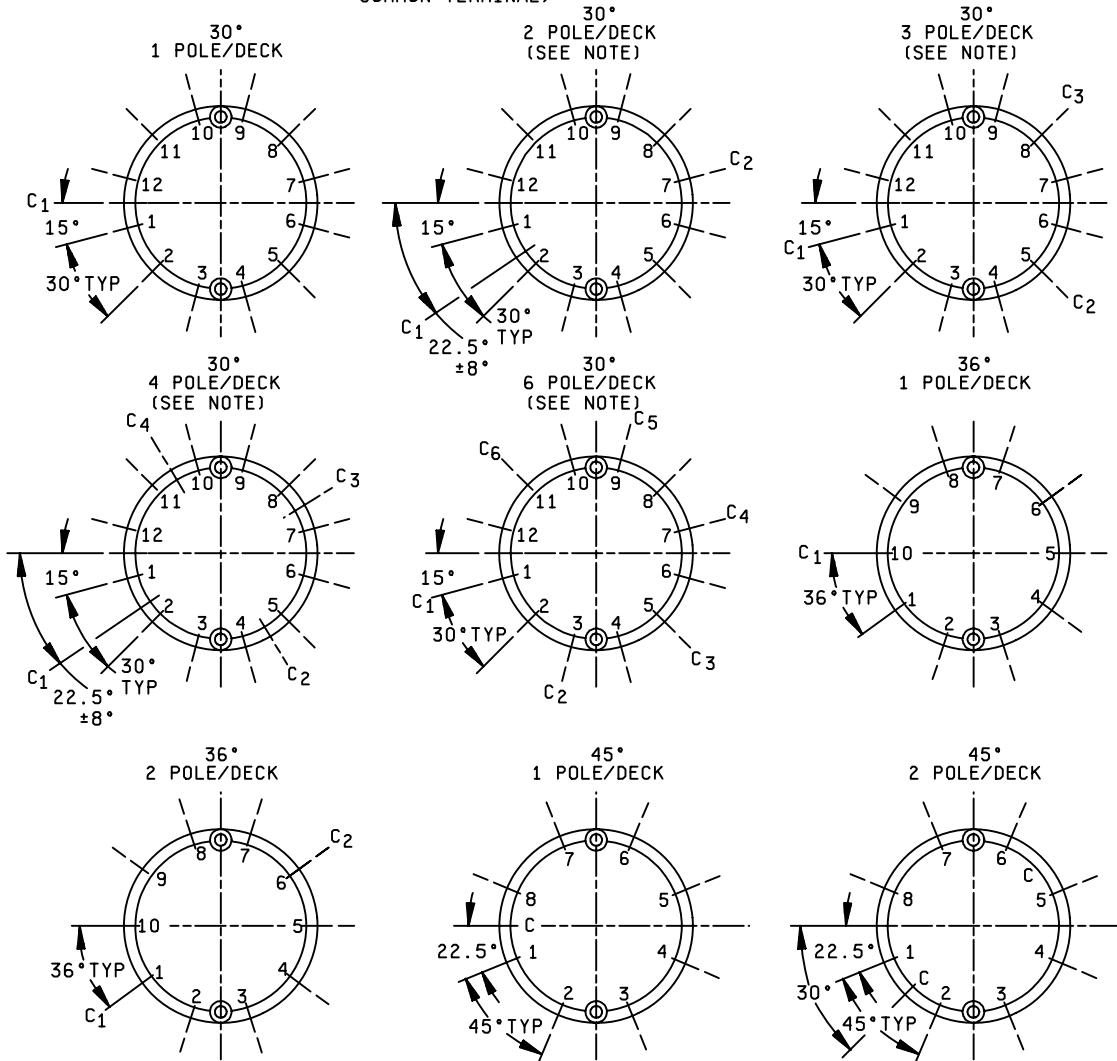
FIGURE 1. Style SR13 switch - Continued.

MIL-DTL-3786/13G



EXAMPLE

SWITCH VIEWED FROM REAR WITH BUSHING KEYWAY AT NINE O'CLOCK ("C" REPRESENTS COMMON TERMINAL)



NOTE: Tolerance on common terminals are $\pm 18^\circ$.

FIGURE 2. Rear view of terminals configurations.

MIL-DTL-3786/13G

REQUIREMENTS:

Dimensions and configuration: See figure. Angle "A" is 15° for switches of 30° and 45° angle of throw; 36° for switches of 36° angle of throw.

Angle of throw and maximum number of poles per deck:

- 30 degrees: 6 poles
- 36 degrees: 2 poles
- 45 degrees: 2 poles

Insulation material: Symbol P.

Construction style: See table IV.

Temperature life characteristics: See table IV.

Vibration grade: Symbol 3 (10 to 2,000 Hz).

Shock type: Symbol H (high impact) and
M medium impact.

Altitude: Symbol C (70,000 ft.)

Mounting hardware: Each switch shall be provided with two hexagon nuts, unless otherwise specified, 0.312 ± 0.010 inch across flats and 0.062 ± 0.010-inch thick; one internal tooth lockwasher .415 max. OD.

Terminals: Terminals shall be designed so that the terminals can accommodate a wire having a diameter of 0.030 inch. The terminals shall project in a direction parallel to the place of the switch section.

Moisture resistance: Insulation resistance, measured immediately after conclusion of the moisture resistance test, and while the switches are still in the humidity chamber, shall be greater than 0.5 megohm. At the end of the drying period, the insulation resistance shall not be less than 10 megohms.

Stop strength: Switches shall have a stop strength of 12 pound-inches minimum.

Rotational torque: The minimum and maximum values of torque determined for shaft rotation shall be within the limits specified in table I.

Terminal strength (pull): A force of 2 pounds minimum shall be applied to the terminals.

TABLE I. Rotational torque limits.

Total number of switch poles	Temperature	Torque (lb-in)	
		<u>Minimum</u>	<u>Maximum</u>
Less than 4	Room	.32	1.7
	Minimum	.32	2.2
4 thru 8	Room	.4	2.7
	Minimum	.4	3.2
More than 8	Room	.5	3.5
	Minimum	.5	4.0

Life (rotational): The test loads for the applicable circuit conditions shall be as specified in table II. Each of the loads, specified for the applicable environmental condition shall be switched by at least one rotor contact of the switch.

MIL-DTL-3786/13G

Extent of qualification: "F" construction style qualifies "E" construction style for the same switches provided two sample units of "E" construction switches are tested to explosion proof requirement paragraph to verify explosion proof capability.

TABLE II. Circuit values for life (rotational) test.

Environmental condition	Inductive loads (250 henries)		Resistive loads	
	Milliamperes	Volts, dc	Milliamperes	Volts, dc
At atmospheric pressure and 85°C or 125°C (25,000 cycles)	50	28	125	28 dc
			75	115 V rms 60 Hz
At reduced barometric pressure (approximately 25°C) (25,000 cycles)	10	28	50	28 dc
			20	115 V rms 60 Hz
At atmospheric pressure and room temperature (Approx. 25°C) (10,000 cycles) <u>1/</u> , <u>2/</u> .	250	28	500	28 dc
			500	115 V rms 60 Hz

1/ Three additional samples will be run for qualification. Switch to be tested shall be part number M3786/13-0321, -3321; or -5321.

2/ The contact resistance (applicable to ac and dc), after life tests shall exceed 50 milliohms.

Dielectric withstanding voltage: The applicable test voltage specified in table III shall be applied.

TABLE III. Dielectric-test voltages.

Altitude	Test voltage (Volts, rms) (60 Hz)
At atmospheric pressure	500
At reduced barometric pressure	350

Ordering data: Acquisition document should specify the following:

- (1) Title, number, and date of this specification sheet, and the military part number as listed in table IV.
- (2) For switches not listed in table IV acquisition shall be in accordance with the ordering data of MIL-DTL-3786 (for switches covered by specification sheets).

Part number: See table IV.

MIL-DTL-3786/13G

TABLE IV. Switching characteristics and part numbers.

Part No. M3786/13- Construction: E Temp. - life char: B	Part No. M3786/13- Construction: E Temp. - life char: C	Part No. M3786/13- Construction: F Temp. - life char: C	Angle of throw	No. of decks	Poles per deck	Pos. Per pole	Switching char. (S or NS)
0001	3001	5001	30°	1	1	2	NS
0002	3002	5002	30°	1	1	3	NS
0003	3003	5003	30°	1	1	4	NS
0004	3004	5004	30°	1	1	5	NS
0005	3005	5005	30°	1	1	6	NS
0006	3006	5006	30°	1	1	7	NS
0007	3007	5007	30°	1	1	8	NS
0008	3008	5008	30°	1	1	9	NS
0009	3009	5009	30°	1	1	10	NS
0010	3010	5010	30°	1	1	11	NS
0011	3011	5011	30°	1	1	12 ^{1/}	NS
0012	3012	5012	30°	1	1	12	NS
0013	3013	5013	30°	1	2	2	NS
0014	3014	5014	30°	1	2	3	NS
0015	3015	5015	30°	1	2	4	NS
0016	3016	5016	30°	1	2	5	NS
0017	3017	5017	30°	1	2	6	NS
0018	3018	5018	30°	1	3	2	NS
0019	3019	5019	30°	1	3	3	NS
0020	3020	5020	30°	1	3	4	NS
0021	3021	5021	30°	1	4	2	NS
0022	3022	5022	30°	1	4	3	NS
0023	3023	5023	30°	1	6	2	NS
0024	3024	5024	30°	2	1	2	NS
0025	3025	5025	30°	2	1	3	NS
0026	3026	5026	30°	2	1	4	NS
0027	3027	5027	30°	2	1	5	NS
0028	3028	5028	30°	2	1	6	NS
0029	3029	5029	30°	2	1	7	NS
0030	3030	5030	30°	2	1	8	NS
0031	3031	5031	30°	2	1	9	NS
0032	3032	5032	30°	2	1	10	NS
0033	3033	5033	30°	2	1	11	NS
0034	3034	5034	30°	2	1	12 ^{1/}	NS
0035	3035	5035	30°	2	1	12	NS
0036	3036	5036	30°	2	2	2	NS
0037	3037	5037	30°	2	2	3	NS
0038	3038	5038	30°	2	2	4	NS
0039	3039	5039	30°	2	2	5	NS
0040	3040	5040	30°	2	2	6	NS
0041	3041	5041	30°	2	3	2	NS
0042	3042	5042	30°	2	3	3	NS
0043	3043	5043	30°	2	3	4	NS
0044	3044	5044	30°	2	4	2	NS
0045	3045	5045	30°	2	4	3	NS
0046	3046	5046	30°	2	6	2	NS
0047	3047	5047	30°	3	1	2	NS
0048	3048	5048	30°	3	1	3	NS

See footnote at end of table.

MIL-DTL-3786/13G

Part No. M3786/13- Construction: E Temp. - life char: B	Part No. M3786/13- Construction: E Temp. - life char: C	Part No. M3786/13- Construction: F Temp. - life char: C	Angle of throw	No. of decks	Poles per deck	Pos. per pole	Switching char. (S or NS)
0049	3049	5049	30°	3	1	4	NS
0050	3050	5050	30°	3	1	5	NS
0051	3051	5051	30°	3	1	6	NS
0052	3052	5052	30°	3	1	7	NS
0053	3053	5053	30°	3	1	8	NS
0054	3054	5054	30°	3	1	9	NS
0055	3055	5055	30°	3	1	10	NS
0056	3056	5056	30°	3	1	11	NS
0057	3057	5057	30°	3	1	12 ^{1/}	NS
0058	3058	5058	30°	3	1	12	NS
0059	3059	5059	30°	3	2	2	NS
0060	3060	5060	30°	3	2	3	NS
0061	3061	5061	30°	3	2	4	NS
0062	3062	5062	30°	3	2	5	NS
0063	3063	5063	30°	3	2	6	NS
0064	3064	5064	30°	3	3	2	NS
0065	3065	5065	30°	3	3	3	NS
0066	3066	5066	30°	3	3	4	NS
0067	3067	5067	30°	3	4	2	NS
0068	3068	5068	30°	3	4	3	NS
0069	3069	5069	30°	3	6	2	NS
0070	3070	5070	30°	4	1	2	NS
0071	3071	5071	30°	4	1	3	NS
0072	3072	5072	30°	4	1	4	NS
0073	3073	5073	30°	4	1	5	NS
0074	3074	5074	30°	4	1	6	NS
0075	3075	5075	30°	4	1	7	NS
0076	3076	5076	30°	4	1	8	NS
0077	3077	5077	30°	4	1	9	NS
0078	3078	5078	30°	4	1	10	NS
0079	3079	5079	30°	4	1	11	NS
0080	3080	5080	30°	4	1	12 ^{1/}	NS
0081	3081	5081	30°	4	1	12	NS
0082	3082	5082	30°	4	2	2	NS
0083	3083	5083	30°	4	2	3	NS
0084	3084	5084	30°	4	2	4	NS
0085	3085	5085	30°	4	2	5	NS
0086	3086	5086	30°	4	2	6	NS
0087	3087	5087	30°	4	3	2	NS
0088	3088	5088	30°	4	3	3	NS
0089	3089	5089	30°	4	3	4	NS
0090	3090	5090	30°	4	4	2	NS
0091	3091	5091	30°	4	4	3	NS
0092	3092	5092	30°	5	1	2	NS
0093	3093	5093	30°	5	1	3	NS
0094	3094	5094	30°	5	1	4	NS
0095	3095	5095	30°	5	1	5	NS
0096	3096	5096	30°	5	1	6	NS
0097	3097	5097	30°	5	1	7	NS
0098	3098	5098	30°	5	1	8	NS
0099	3099	5099	30°	5	1	9	NS
0100	3100	5100	30°	5	1	10	NS
0101	3101	5101	30°	5	1	11	NS

MIL-DTL-3786/13G

Part No. M3786/13- Construction: E Temp. - life char: B	Part No. M3786/13- Construction: E Temp. - life char: C	Part No. M3786/13- Construction: F Temp. - life char: C	Angle of throw	No. of decks	Poles per deck	Pos. per pole	Switching char. (S or NS)
0102	3102	5102	30°	5	1	12 <u>1/</u>	NS
0103	3103	5103	30°	5	1	12	NS
0104	3104	5104	30°	5	2	2	NS
0105	3105	5105	30°	5	2	3	NS
0106	3106	5106	30°	5	2	4	NS
0107	3107	5107	30°	5	2	5	NS
0108	3108	5108	30°	5	2	6	NS
0109	3109	5109	30°	5	3	2	NS
0110	3110	5110	30°	5	3	3	NS
0111	3111	5111	30°	5	3	4	NS
0112	3112	5112	30°	6	1	2	NS
0113	3113	5113	30°	6	1	3	NS
0114	3114	5114	30°	6	1	4	NS
0115	3115	5115	30°	6	1	5	NS
0116	3116	5116	30°	6	1	6	NS
0117	3117	5117	30°	6	1	7	NS
0118	3118	5118	30°	6	1	8	NS
0119	3119	5119	30°	6	1	9	NS
0120	3120	5120	30°	6	1	10	NS
0121	3121	5121	30°	6	1	11	NS
0122	3122	5122	30°	6	1	12 <u>1/</u>	NS
0123	3123	5123	30°	6	1	12	NS
0124	3124	5124	30°	6	2	2	NS
0125	3125	5125	30°	6	2	3	NS
0126	3126	5126	30°	6	2	4	NS
0127	3127	5127	30°	6	2	5	NS
0128	3128	5128	30°	6	2	6	NS
0129	3129	5129	30°	6	3	2	NS
0130	3130	5130	30°	6	3	3	NS
0131	3131	5131	30°	6	3	4	NS
0132	3132	5132	30°	7	1	2	NS
0133	3133	5133	30°	7	1	3	NS
0134	3134	5134	30°	7	1	4	NS
0135	3135	5135	30°	7	1	5	NS
0136	3136	5136	30°	7	1	6	NS
0137	3137	5137	30°	7	1	7	NS
0138	3138	5138	30°	7	1	8	NS
0139	3139	5139	30°	7	1	9	NS
0140	3140	5140	30°	7	1	10	NS
0141	3141	5141	30°	7	1	11	NS
0142	3142	5142	30°	7	1	12 <u>1/</u>	NS
0143	3143	5143	30°	7	1	12	NS
0144	3144	5144	30°	7	2	2	NS
0145	3145	5145	30°	7	2	3	NS
0146	3146	5146	30°	7	2	4	NS
0147	3147	5147	30°	7	2	5	NS
0148	3148	5148	30°	7	2	6	NS
0149	3149	5149	30°	8	1	2	NS
0150	3150	5150	30°	8	1	3	NS
0151	3151	5151	30°	8	1	4	NS
0152	3152	5152	30°	8	1	5	NS
0153	3153	5153	30°	8	1	6	NS
0154	3154	5154	30°	8	1	7	NS
0155	3155	5155	30°	8	1	8	NS

MIL-DTL-3786/13G

Part No. M3786/13- Construction: E Temp. - life char: B	Part No. M3786/13- Construction: E Temp. - life char: C	Part No. M3786/13- Construction: F Temp. - life char: C	Angle of throw	No. of decks	Poles per deck	Pos. per pole	Switching char. (S or NS)
0156	3156	5156	30°	8	1	9	NS
0157	3157	5157	30°	8	1	10	NS
0158	3158	5158	30°	8	1	11	NS
0159	3159	5159	30°	8	1	12 <u>1/</u>	NS
0160	3160	5160	30°	8	1	12	NS
0161	3161	5161	30°	8	2	2	NS
0162	3162	5162	30°	8	2	3	NS
0163	3163	5163	30°	8	2	4	NS
0164	3164	5164	30°	8	2	5	NS
0165	3165	5165	30°	8	2	6	NS
0166	3166	5166	30°	9	1	2	NS
0167	3167	5167	30°	9	1	3	NS
0168	3168	5168	30°	9	1	4	NS
0169	3169	5169	30°	9	1	5	NS
0170	3170	5170	30°	9	1	6	NS
0171	3171	5171	30°	9	1	7	NS
0172	3172	5172	30°	9	1	8	NS
0173	3173	5173	30°	9	1	9	NS
0174	3174	5174	30°	9	1	10	NS
0175	3175	5175	30°	9	1	11	NS
0176	3176	5176	30°	9	1	12 <u>1/</u>	NS
0177	3177	5177	30°	9	1	12	NS
0178	3178	5178	30°	9	2	2	NS
0179	3179	5179	30°	9	2	3	NS
0180	3180	5180	30°	9	2	4	NS
0181	3181	5181	30°	9	2	5	NS
0182	3182	5182	30°	9	2	6	NS
0183	3183	5183	30°	10	1	2	NS
0184	3184	5184	30°	10	1	3	NS
0185	3185	5185	30°	10	1	4	NS
0186	3186	5186	30°	10	1	5	NS
0187	3187	5187	30°	10	1	6	NS
0188	3188	5188	30°	10	1	7	NS
0189	3189	5189	30°	10	1	8	NS
0190	3190	5190	30°	10	1	9	NS
0191	3191	5191	30°	10	1	10	NS
0192	3192	5192	30°	10	1	11	NS
0193	3193	5193	30°	10	1	12 <u>1/</u>	NS
0194	3194	5194	30°	10	1	12	NS
0195	3195	5195	30°	11	1	2	NS
0196	3196	5196	30°	11	1	3	NS
0197	3197	5197	30°	11	1	4	NS
0198	3198	5198	30°	11	1	5	NS
0199	3199	5199	30°	11	1	6	NS
0200	3200	5200	30°	11	1	7	NS
0201	3201	5201	30°	11	1	8	NS
0202	3202	5202	30°	11	1	9	NS
0203	3203	5203	30°	11	1	10	NS
0204	3204	5204	30°	11	1	11	NS
0205	3205	5205	30°	11	1	12 <u>1/</u>	NS
0206	3206	5206	30°	11	1	12	NS
0207	3207	5207	30°	12	1	2	NS
0208	3208	5208	30°	12	1	3	NS
0209	3209	5209	30°	12	1	4	NS

MIL-DTL-3786/13G

Part No. M3786/13- Construction: E Temp. - life char: B	Part No. M3786/13- Construction: E Temp. - life char: C	Part No. M3786/13- Construction: F Temp. - life char: C	Angle of throw	No. of decks	Poles per deck	Pos. per pole	Switching char. (S or NS)
0210	3210	5210	30°	12	1	5	NS
0211	3211	5211	30°	12	1	6	NS
0212	3212	5212	30°	12	1	7	NS
0213	3213	5213	30°	12	1	8	NS
0214	3214	5214	30°	12	1	9	NS
0215	3215	5215	30°	12	1	10	NS
0216	3216	5216	30°	12	1	11	NS
0217	3217	5217	30°	12	1	12 <u>1/</u>	NS
0218	3218	5218	30°	12	1	12	NS
0219	3219	5219	30°	1	1	2	S
0220	3220	5220	30°	1	1	3	S
0221	3221	5221	30°	1	1	4	S
0222	3222	5222	30°	1	1	5	S
0223	3223	5223	30°	1	1	6	S
0224	3224	5224	30°	1	1	7	S
0225	3225	5225	30°	1	1	8	S
0226	3226	5226	30°	1	1	9	S
0227	3227	5227	30°	1	1	10	S
0228	3228	5228	30°	1	1	11	S
0229	3229	5229	30°	1	1	12 <u>1/</u>	S
0230	3230	5230	30°	1	1	12	S
0231	3231	5231	30°	1	2	2	S
0232	3232	5232	30°	1	2	3	S
0233	3233	5233	30°	1	2	4	S
0234	3234	5234	30°	1	2	5	S
0235	3235	5235	30°	1	2	6	S
0236	3236	5236	30°	1	3	2	S
0237	3237	5237	30°	1	3	3	S
0238	3238	5238	30°	1	3	4	S
0239	3239	5239	30°	1	4	2	S
0240	3240	5240	30°	1	4	3	S
0241	3241	5241	30°	1	6	2	S
0242	3242	5242	30°	2	1	2	S
0243	3243	5243	30°	2	1	3	S
0244	3244	5244	30°	2	1	4	S
0245	3245	5245	30°	2	1	5	S
0246	3246	5246	30°	2	1	6	S
0247	3247	5247	30°	2	1	7	S
0248	3248	5248	30°	2	1	8	S
0249	3249	5249	30°	2	1	9	S
0250	3250	5250	30°	2	1	10	S
0251	3251	5251	30°	2	1	11	S
0252	3252	5252	30°	2	1	12 <u>1/</u>	S
0253	3253	5253	30°	2	1	12	S
0254	3254	5254	30°	2	2	2	S
0255	3255	5255	30°	2	2	3	S
0256	3256	5256	30°	2	2	4	S
0257	3257	5257	30°	2	2	5	S
0258	3258	5258	30°	2	2	6	S
0259	3259	5259	30°	2	3	2	S
0260	3260	5260	30°	2	3	3	S
0261	3261	5261	30°	2	3	4	S
0262	3262	5262	30°	2	4	2	S
0263	3263	5263	30°	2	4	3	S

MIL-DTL-3786/13G

Part No. M3786/13- Construction: E Temp. - life char: B	Part No. M3786/13- Construction: E Temp. - life char: C	Part No. M3786/13- Construction: F Temp. - life char: C	Angle of throw	No. of decks	Poles per deck	Pos. per pole	Switching char. (S or NS)
0264	3264	5264	30°	2	6	2	S
0265	3265	5265	30°	2	1	2	S
0266	3266	5266	30°	3	1	3	S
0267	3267	5267	30°	3	1	4	S
0268	3268	5268	30°	3	1	5	S
0269	3269	5269	30°	3	1	6	S
0270	3270	5270	30°	3	1	7	S
0271	3271	5271	30°	3	1	8	S
0272	3272	5272	30°	3	1	9	S
0273	3273	5273	30°	3	1	10	S
0274	3274	5274	30°	3	1	11	S
0275	3275	5275	30°	3	1	12 ^{1/}	S
0276	3276	5276	30°	3	1	12	S
0277	3277	5277	30°	3	2	2	S
0278	3278	5278	30°	3	2	3	S
0279	3279	5279	30°	3	2	4	S
0280	3280	5280	30°	3	2	5	S
0281	3281	5281	30°	3	2	6	S
0282	3282	5282	30°	3	3	2	S
0283	3283	5283	30°	3	3	3	S
0284	3284	5284	30°	3	3	4	S
0285	3285	5285	30°	3	4	2	S
0286	3286	5286	30°	3	4	3	S
0287	3287	5287	30°	3	6	2	S
0288	3288	5288	30°	4	1	2	S
0289	3289	5289	30°	4	1	3	S
0290	3290	5290	30°	4	1	4	S
0291	3291	5291	30°	4	1	5	S
0292	3292	5292	30°	4	1	6	S
0293	3293	5293	30°	4	1	7	S
0294	3294	5294	30°	4	1	8	S
0295	3295	5295	30°	4	1	9	S
0296	3296	5296	30°	4	1	10	S
0297	3297	5297	30°	4	1	11	S
0298	3298	5298	30°	4	1	12 ^{1/}	S
0299	3299	5299	30°	4	1	12	S
0300	3300	5300	30°	4	2	2	S
0301	3301	5301	30°	4	2	3	S
0302	3302	5302	30°	4	2	4	S
0303	3303	5303	30°	4	2	5	S
0304	3304	5304	30°	4	2	6	S
0305	3305	5305	30°	4	3	2	S
0306	3306	5306	30°	4	3	3	S
0307	3307	5307	30°	4	3	4	S
0308	3308	5308	30°	4	4	2	S
0309	3309	5309	30°	4	4	3	S
0310	3310	5310	30°	5	1	2	S
0311	3311	5311	30°	5	1	3	S
0312	3312	5312	30°	5	1	4	S
0313	3313	5313	30°	5	1	5	S
0314	3314	5314	30°	5	1	6	S
0315	3315	5315	30°	5	1	7	S
0316	3316	5316	30°	5	1	8	S
0317	3317	5317	30°	5	1	9	S

MIL-DTL-3786/13G

Part No. M3786/13- Construction: E Temp. - life char: B	Part No. M3786/13- Construction: E Temp. - life char: C	Part No. M3786/13- Construction: F Temp. - life char: C	Angle of throw	No. of decks	Poles per deck	Pos. per pole	Switching char. (S or NS)
0318	3318	5318	30°	5	1	10	S
0319	3319	5319	30°	5	1	11	S
0320	3320	5320	30°	5	1	12 <u>1/</u>	S
0321	3321	5321	30°	5	1	12	S
0322	3322	5322	30°	5	2	2	S
0323	3323	5323	30°	5	2	3	S
0324	3324	5324	30°	5	2	4	S
0325	3325	5325	30°	5	2	5	S
0326	3326	5326	30°	5	2	6	S
0327	3327	5327	30°	5	3	2	S
0328	3328	5328	30°	5	3	3	S
0329	3329	5329	30°	6	3	4	S
0330	3330	5330	30°	6	1	2	S
0331	3331	5331	30°	6	1	3	S
0332	3332	5332	30°	6	1	4	S
0333	3333	5333	30°	6	1	5	S
0334	3334	5334	30°	6	1	6	S
0335	3335	5335	30°	6	1	7	S
0336	3336	5336	30°	6	1	8	S
0337	3337	5337	30°	6	1	9	S
0338	3338	5338	30°	6	1	10	S
0339	3339	5339	30°	6	1	11	S
0340	3340	5340	30°	6	1	12 <u>1/</u>	S
0341	3341	5341	30°	6	1	12	S
0342	3342	5342	30°	6	2	2	S
0343	3343	5343	30°	6	2	3	S
0344	3344	5344	30°	6	2	4	S
0345	3345	5345	30°	6	2	5	S
0346	3346	5346	30°	6	2	6	S
0347	3347	5347	30°	6	3	2	S
0348	3348	5348	30°	6	3	3	S
0349	3349	5349	30°	6	3	4	S
0350	3350	5350	30°	7	1	2	S
0351	3351	5351	30°	7	1	3	S
0352	3352	5352	30°	7	1	4	S
0353	3353	5353	30°	7	1	5	S
0354	3354	5354	30°	7	1	6	S
0355	3355	5355	30°	7	1	7	S
0356	3356	5356	30°	7	1	8	S
0357	3357	5357	30°	7	1	9	S
0358	3358	5358	30°	7	1	10	S
0359	3359	5359	30°	7	1	11	S
0360	3360	5360	30°	7	1	12 <u>1/</u>	S
0361	3361	5361	30°	7	1	12	S
0362	3362	5362	30°	7	2	2	S
0363	3363	5363	30°	7	2	3	S
0364	3364	5364	30°	7	2	4	S
0365	3365	5365	30°	7	2	5	S
0366	3366	5366	30°	7	2	6	S
0367	3367	5367	30°	8	1	2	S
0368	3368	5368	30°	8	1	3	S
0369	3369	5369	30°	8	1	4	S
0370	3370	5370	30°	8	1	5	S
0371	3371	5371	30°	8	1	6	S

MIL-DTL-3786/13G

Part No. M3786/13- Construction: E Temp. - life char: B	Part No. M3786/13- Construction: E Temp. - life char: C	Part No. M3786/13- Construction: F Temp. - life char: C	Angle of throw	No. of decks	Poles per deck	Pos. per pole	Switching char. (S or NS)
0372	3372	5372	30°	8	1	7	S
0373	3373	5373	30°	8	1	8	S
0374	3374	5374	30°	8	1	9	S
0375	3375	5375	30°	8	1	10	S
0376	3376	5376	30°	8	1	11	S
0377	3377	5377	30°	8	1	12 <u>1/</u>	S
0378	3378	5378	30°	8	1	12	S
0379	3379	5379	30°	8	2	2	S
0380	3380	5380	30°	8	2	3	S
0381	3381	5381	30°	8	2	4	S
0382	3382	5382	30°	8	2	5	S
0383	3383	5383	30°	8	2	6	S
0384	3384	5384	30°	9	1	2	S
0385	3385	5385	30°	9	1	3	S
0386	3386	5386	30°	9	1	4	S
0387	3387	5387	30°	9	1	5	S
0388	3388	5388	30°	9	1	6	S
0389	3389	5389	30°	9	1	7	S
0390	3390	5390	30°	9	1	8	S
0391	3391	5391	30°	9	1	9	S
0392	3392	5392	30°	9	1	10	S
0393	3393	5393	30°	9	1	11	S
0394	3394	5394	30°	9	1	12 <u>1/</u>	S
0395	3395	5395	30°	9	1	12	S
0396	3396	5396	30°	9	2	2	S
0397	3397	5397	30°	9	2	3	S
0398	3398	5398	30°	9	2	4	S
0399	3399	5399	30°	9	2	5	S
0400	3400	5400	30°	9	2	6	S
0401	3401	5401	30°	10	1	2	S
0402	3402	5402	30°	10	1	3	S
0403	3403	5403	30°	10	1	4	S
0404	3404	5404	30°	10	1	5	S
0405	3405	5405	30°	10	1	6	S
0406	3406	5406	30°	10	1	7	S
0407	3407	5407	30°	10	1	8	S
0408	3408	5408	30°	10	1	9	S
0409	3409	5409	30°	10	1	10	S
0410	3410	5410	30°	10	1	11	S
0411	3411	5411	30°	10	1	12 <u>1/</u>	S
0412	3412	5412	30°	10	1	12	S
0413	3413	5413	30°	11	1	2	S
0414	3414	5414	30°	11	1	3	S
0415	3415	5415	30°	11	1	4	S
0416	3416	5416	30°	11	1	5	S
0417	3417	5417	30°	11	1	6	S
0418	3418	5418	30°	11	1	7	S
0419	3419	5419	30°	11	1	8	S
0420	3420	5420	30°	11	1	9	S
0421	3421	5421	30°	11	1	10	S
0422	3422	5422	30°	11	1	11	S
0423	3423	5423	30°	11	1	12 <u>1/</u>	S
0424	3424	5424	30°	11	1	12	S
0425	3425	5425	30°	12	1	2	S

MIL-DTL-3786/13G

Part No. M3786/13- Construction: E Temp. - life char: B	Part No. M3786/13- Construction: E Temp. - life char: C	Part No. M3786/13- Construction: F Temp. - life char: C	Angle of throw	No. of decks	Poles per deck	Pos. per pole	Switching char. (S or NS)
0426	3426	5426	30°	12	1	3	S
0427	3427	5427	30°	12	1	4	S
0428	3428	5428	30°	12	1	5	S
0429	3429	5429	30°	12	1	6	S
0430	3430	5430	30°	12	1	7	S
0431	3431	5431	30°	12	1	8	S
0432	3432	5432	30°	12	1	9	S
0433	3433	5433	30°	12	1	10	S
0434	3434	5434	30°	12	1	11	S
0435	3435	5435	30°	12	1	12 <u>1/</u>	S
0436	3436	5436	30°	12	1	12	S
0437	3437	5437	36°	1	1	2	NS
0438	3438	5438	36°	1	1	3	NS
0439	3439	5439	36°	1	1	4	NS
0440	3440	5440	36°	1	1	5	NS
0441	3441	5441	36°	1	1	6	NS
0442	3442	5442	36°	1	1	7	NS
0443	3443	5443	36°	1	1	8	NS
0444	3444	5444	36°	1	1	9	NS
0445	3445	5445	36°	1	1	10 <u>1/</u>	NS
0446	3446	5446	36°	1	1	10	NS
0447	3447	5447	36°	1	2	2	NS
0448	3448	5448	36°	1	2	3	NS
0449	3449	5449	36°	1	2	4	NS
0450	3450	5450	36°	1	2	5	NS
0451	3451	5451	36°	2	1	2	NS
0452	3452	5452	36°	2	1	3	NS
0453	3453	5453	36°	2	1	4	NS
0454	3454	5454	36°	2	1	5	NS
0455	3455	5455	36°	2	1	6	NS
0456	3456	5456	36°	2	1	7	NS
0457	3457	5457	36°	2	1	8	NS
0458	3458	5458	36°	2	1	9	NS
0459	3459	5459	36°	2	1	10 <u>1/</u>	NS
0460	3460	5460	36°	2	1	10	NS
0461	3461	5461	36°	2	2	2	NS
0462	3462	5462	36°	2	2	3	NS
0463	3463	5463	36°	2	2	4	NS
0464	3464	5464	36°	2	2	5	NS
0465	3465	5465	36°	3	1	2	NS
0466	3466	5466	36°	3	1	3	NS
0467	3467	5467	36°	3	1	4	NS
0468	3468	5468	36°	3	1	5	NS
0469	3469	5469	36°	3	1	6	NS
0470	3470	5470	36°	3	1	7	NS
0471	3471	5471	36°	3	1	8	NS
0472	3472	5472	36°	3	1	9	NS
0473	3473	5473	36°	3	1	10 <u>1/</u>	NS
0474	3474	5474	36°	3	1	10	NS
0475	3475	5475	36°	3	2	2	NS
0476	3476	5476	36°	3	2	3	NS
0477	3477	5477	36°	3	2	4	NS
0478	3478	5478	36°	3	2	5	NS
0479	3479	5479	36°	4	1	2	NS

MIL-DTL-3786/13G

Part No. M3786/13- Construction: E Temp. - life char: B	Part No. M3786/13- Construction: E Temp. - life char: C	Part No. M3786/13- Construction: F Temp. - life char: C	Angle of throw	No. of decks	Poles per deck	Pos. per pole	Switching char. (S or NS)
0480	3480	5480	36°	4	1	3	NS
0481	3481	5481	36°	4	1	4	NS
0482	3482	5482	36°	4	1	5	NS
0483	3483	5483	36°	4	1	6	NS
0484	3484	5484	36°	4	1	7	NS
0485	3485	5485	36°	4	1	8	NS
0486	3486	5486	36°	4	1	9	NS
0487	3487	5487	36°	4	1	10 <u>1/</u>	NS
0488	3488	5488	36°	4	1	10	NS
0489	3489	5489	36°	4	2	2	NS
0490	3490	5490	36°	4	2	3	NS
0491	3491	5491	36°	4	2	4	NS
0492	3492	5492	36°	4	2	5	NS
0493	3493	5493	36°	5	1	2	NS
0494	3494	5494	36°	5	1	3	NS
0495	3495	5495	36°	5	1	4	NS
0496	3496	5496	36°	5	1	5	NS
0497	3497	5497	36°	5	1	6	NS
0498	3498	5498	36°	5	1	7	NS
0499	3499	5499	36°	5	1	8	NS
0500	3500	5500	36°	5	1	9	NS
0501	3501	5501	36°	5	1	10 <u>1/</u>	NS
0502	3502	5502	36°	5	1	10	NS
0503	3503	5503	36°	5	2	2	NS
0504	3504	5504	36°	5	2	3	NS
0505	3505	5505	36°	5	2	4	NS
0506	3506	5506	36°	5	2	5	NS
0507	3507	5507	36°	6	1	2	NS
0508	3508	5508	36°	6	1	3	NS
0509	3509	5509	36°	6	1	4	NS
0510	3510	5510	36°	6	1	5	NS
0511	3511	5511	36°	6	1	6	NS
0512	3512	5512	36°	6	1	7	NS
0513	3513	5513	36°	6	1	8	NS
0514	3514	5514	36°	6	1	9	NS
0515	3515	5515	36°	6	1	10 <u>1/</u>	NS
0516	3516	5516	36°	6	1	10	NS
0517	3517	5517	36°	6	2	2	NS
0518	3518	5518	36°	6	2	3	NS
0519	3519	5519	36°	6	2	4	NS
0520	3520	5520	36°	6	2	5	NS
0521	3521	5521	36°	7	1	2	NS
0522	3522	5522	36°	7	1	3	NS
0523	3523	5523	36°	7	1	4	NS
0524	3524	5524	36°	7	1	5	NS
0525	3525	5525	36°	7	1	6	NS
0526	3526	5526	36°	7	1	7	NS
0527	3527	5527	36°	7	1	8	NS
0528	3528	5528	36°	7	1	9	NS
0529	3529	5529	36°	7	1	10 <u>1/</u>	NS
0530	3530	5530	36°	7	1	10	NS
0531	3531	5531	36°	7	2	2	NS
0532	3532	5532	36°	7	2	3	NS
0533	3533	5533	36°	7	2	4	NS

MIL-DTL-3786/13G

Part No. M3786/13- Construction: E Temp. - life char: B	Part No. M3786/13- Construction: E Temp. - life char: C	Part No. M3786/13- Construction: F Temp. - life char: C	Angle of throw	No. of decks	Poles per deck	Pos. per pole	Switching char. (S or NS)
0534	3534	5534	36°	7	2	5	NS
0535	3535	5535	36°	8	1	2	NS
0536	3536	5536	36°	8	1	3	NS
0537	3537	5537	36°	8	1	4	NS
0538	3538	5538	36°	8	1	5	NS
0539	3539	5539	36°	8	1	6	NS
0540	3540	5540	36°	8	1	7	NS
0541	3541	5541	36°	8	1	8	NS
0542	3542	5542	36°	8	1	9	NS
0543	3543	5543	36°	8	1	10 <u>1/</u>	NS
0544	3544	5544	36°	8	1	10	NS
0545	3545	5545	36°	8	2	2	NS
0546	3546	5546	36°	8	2	3	NS
0547	3547	5547	36°	8	2	4	NS
0548	3548	5548	36°	8	2	5	NS
0549	3549	5549	36°	9	1	2	NS
0550	3550	5550	36°	9	1	3	NS
0551	3551	5551	36°	9	1	4	NS
0552	3552	5552	36°	9	1	5	NS
0553	3553	5553	36°	9	1	6	NS
0554	3554	5554	36°	9	1	7	NS
0555	3555	5555	36°	9	1	8	NS
0556	3556	5556	36°	9	1	9	NS
0557	3557	5557	36°	9	1	10 <u>1/</u>	NS
0558	3558	5558	36°	9	1	10	NS
0559	3559	5559	36°	9	2	2	NS
0560	3560	5560	36°	9	2	3	NS
0561	3561	5561	36°	9	2	4	NS
0562	3562	5562	36°	9	2	5	NS
0563	3563	5563	36°	10	1	2	NS
0564	3564	5564	36°	10	1	3	NS
0565	3565	5565	36°	10	1	4	NS
0566	3566	5566	36°	10	1	5	NS
0567	3567	5567	36°	10	1	6	NS
0568	3568	5568	36°	10	1	7	NS
0569	3569	5569	36°	10	1	8	NS
0570	3570	5570	36°	10	1	9	NS
0571	3571	5571	36°	10	1	10 <u>1/</u>	NS
0572	3572	5572	36°	10	1	10	NS
0573	3573	5573	36°	11	1	2	NS
0574	3574	5574	36°	11	1	3	NS
0575	3575	5575	36°	11	1	4	NS
0576	3576	5576	36°	11	1	5	NS
0577	3577	5577	36°	11	1	6	NS
0578	3578	5578	36°	11	1	7	NS
0579	3579	5579	36°	11	1	8	NS
0580	3580	5580	36°	11	1	9	NS
0581	3581	5581	36°	11	1	10 <u>1/</u>	NS
0582	3582	5582	36°	11	1	10	NS
0583	3583	5583	36°	12	1	2	NS
0584	3584	5584	36°	12	1	3	NS
0585	3585	5585	36°	12	1	4	NS
0586	3586	5586	36°	12	1	5	NS
0587	3587	5587	36°	12	1	6	NS

MIL-DTL-3786/13G

Part No. M3786/13- Construction: E Temp. - life char: B	Part No. M3786/13- Construction: E Temp. - life char: C	Part No. M3786/13- Construction: F Temp. - life char: C	Angle of throw	No. of decks	Poles per deck	Pos. per pole	Switching char. (S or NS)
0588	3588	5588	36°	12	1	7	NS
0589	3589	5589	36°	12	1	8	NS
0590	3590	5590	36°	12	1	9	NS
0591	3591	5591	36°	12	1	10 <u>1/</u>	NS
0592	3592	5592	36°	12	1	10	NS
0593	3593	5593	36°	1	1	2	S
0594	3594	5594	36°	1	1	3	S
0595	3595	5595	36°	1	1	4	S
0596	3596	5596	36°	1	1	5	S
0597	3597	5597	36°	1	1	6	S
0598	3598	5598	36°	1	1	7	S
0599	3599	5599	36°	1	1	8	S
0600	3600	5600	36°	1	1	9	S
0601	3601	5601	36°	1	1	10 <u>1/</u>	S
0602	3602	5602	36°	1	1	10	S
0603	3603	5603	36°	1	2	2	S
0604	3604	5604	36°	1	2	3	S
0605	3605	5605	36°	1	2	4	S
0606	3606	5606	36°	1	2	5	S
0607	3607	5607	36°	2	1	2	S
0608	3608	5608	36°	2	1	3	S
0609	3609	5609	36°	2	1	4	S
0610	3610	5610	36°	2	1	5	S
0611	3611	5611	36°	2	1	6	S
0612	3612	5612	36°	2	1	7	S
0613	3613	5613	36°	2	1	8	S
0614	3614	5614	36°	2	1	9	S
0615	3615	5615	36°	2	1	10 <u>1/</u>	S
0616	3616	5616	36°	2	1	10	S
0617	3617	5617	36°	2	2	2	S
0618	3618	5618	36°	2	2	3	S
0619	3619	5619	36°	2	2	4	S
0620	3620	5620	36°	2	2	5	S
0621	3621	5621	36°	3	1	2	S
0622	3622	5622	36°	3	1	3	S
0623	3623	5623	36°	3	1	4	S
0624	3624	5624	36°	3	1	5	S
0625	3625	5625	36°	3	1	6	S
0626	3626	5626	36°	3	1	7	S
0627	3627	5627	36°	3	1	8	S
0628	3628	5628	36°	3	1	9	S
0629	3629	5629	36°	3	1	10 <u>1/</u>	S
0630	3630	5630	36°	3	1	10	S
0631	3631	5631	36°	3	2	2	S
0632	3632	5632	36°	3	2	3	S
0633	3633	5633	36°	3	2	4	S
0634	3634	5634	36°	3	2	5	S
0635	3635	5635	36°	4	1	2	S
0636	3636	5636	36°	4	1	3	S
0637	3637	5637	36°	4	1	4	S
0638	3638	5638	36°	4	1	5	S
0639	3639	5639	36°	4	1	6	S
0640	3640	5640	36°	4	1	7	S
0641	3641	5641	36°	4	1	8	S

MIL-DTL-3786/13G

Part No. M3786/13- Construction: E Temp. - life char: B	Part No. M3786/13- Construction: E Temp. - life char: C	Part No. M3786/13- Construction: F Temp. - life char: C	Angle of throw	No. of decks	Poles per deck	Pos. per pole	Switching char. (S or NS)
0642	3642	5642	36°	4	1	9	S
0643	3643	5643	36°	4	1	10 <u>1/</u>	S
0644	3644	5644	36°	4	1	10	S
0645	3645	5645	36°	4	2	2	S
0646	3646	5646	36°	4	2	3	S
0647	3647	5647	36°	4	2	4	S
0648	3648	5648	36°	4	2	5	S
0649	3649	5649	36°	5	1	2	S
0650	3650	5650	36°	5	1	3	S
0651	3651	5651	36°	5	1	4	S
0652	3652	5652	36°	5	1	5	S
0653	3653	5653	36°	5	1	6	S
0654	3654	5654	36°	5	1	7	S
0655	3655	5655	36°	5	1	8	S
0656	3656	5656	36°	5	1	9	S
0657	3657	5657	36°	5	1	10 <u>1/</u>	S
0658	3658	5658	36°	5	1	10	S
0659	3659	5659	36°	5	2	2	S
0660	3660	5660	36°	5	2	3	S
0661	3661	5661	36°	5	2	4	S
0662	3662	5662	36°	5	2	5	S
0663	3663	5663	36°	6	1	2	S
0664	3664	5664	36°	6	1	3	S
0665	3665	5665	36°	6	1	4	S
0666	3666	5666	36°	6	1	5	S
0667	3667	5667	36°	6	1	6	S
0668	3668	5668	36°	6	1	7	S
0669	3669	5669	36°	6	1	8	S
0670	3670	5670	36°	6	1	9	S
0671	3671	5671	36°	6	1	10 <u>1/</u>	S
0672	3672	5672	36°	6	1	10	S
0673	3673	5673	36°	6	2	2	S
0674	3674	5674	36°	6	2	3	S
0675	3675	5675	36°	6	2	4	S
0676	3676	5676	36°	6	2	5	S
0677	3677	5677	36°	7	1	2	S
0678	3678	5678	36°	7	1	3	S
0679	3679	5679	36°	7	1	4	S
0680	3680	5680	36°	7	1	5	S
0681	3681	5681	36°	7	1	6	S
0682	3682	5682	36°	7	1	7	S
0683	3683	5683	36°	7	1	8	S
0684	3684	5684	36°	7	1	9	S
0685	3685	5685	36°	7	1	10 <u>1/</u>	S
0686	3686	5686	36°	7	1	10	S
0687	3687	5687	36°	7	2	2	S
0688	3688	5688	36°	7	2	3	S
0689	3689	5689	36°	7	2	4	S
0690	3690	5690	36°	7	2	5	S
0691	3691	5691	36°	8	1	2	S
0692	3692	5692	36°	8	1	3	S
0693	3693	5693	36°	8	1	4	S
0694	3694	5694	36°	8	1	5	S
0695	3695	5695	36°	8	1	6	S

MIL-DTL-3786/13G

Part No. M3786/13- Construction: E Temp. - life char: B	Part No. M3786/13- Construction: E Temp. - life char: C	Part No. M3786/13- Construction: F Temp. - life char: C	Angle of throw	No. of decks	Poles per deck	Pos. per pole	Switching char. (S or NS)
0696	3696	5696	36°	8	1	7	S
0697	3697	5697	36°	8	1	8	S
0698	3698	5698	36°	8	1	9	S
0699	3699	5699	36°	8	1	10 <u>1/</u>	S
0700	3700	5700	36°	8	1	10	S
0701	3701	5701	36°	8	2	2	S
0702	3702	5702	36°	8	2	3	S
0703	3703	5703	36°	8	2	4	S
0704	3704	5704	36°	8	2	5	S
0705	3705	5705	36°	9	1	2	S
0706	3706	5706	36°	9	1	3	S
0707	3707	5707	36°	9	1	4	S
0708	3708	5708	36°	9	1	5	S
0709	3709	5709	36°	9	1	6	S
0710	3710	5710	36°	9	1	7	S
0711	3711	5711	36°	9	1	8	S
0712	3712	5712	36°	9	1	9	S
0713	3713	5713	36°	9	1	10 <u>1/</u>	S
0714	3714	5714	36°	9	1	10	S
0715	3715	5715	36°	10	1	2	S
0716	3716	5716	36°	10	1	3	S
0717	3717	5717	36°	10	1	4	S
0718	3718	5718	36°	10	1	5	S
0719	3719	5719	36°	10	1	6	S
0720	3720	5720	36°	10	1	7	S
0721	3721	5721	36°	10	1	8	S
0722	3722	5722	36°	10	1	9	S
0723	3723	5723	36°	10	1	10 <u>1/</u>	S
0724	3724	5724	36°	10	1	10	S
0725	3725	5725	36°	11	1	2	S
0726	3726	5726	36°	11	1	3	S
0727	3727	5727	36°	11	1	4	S
0728	3728	5728	36°	11	1	5	S
0729	3729	5729	36°	11	1	6	S
0730	3730	5730	36°	11	1	7	S
0731	3731	5731	36°	11	1	8	S
0732	3732	5732	36°	11	1	9	S
0733	3733	5733	36°	11	1	10 <u>1/</u>	S
0734	3734	5734	36°	11	1	10	S
0735	3735	5735	36°	12	1	2	S
0736	3736	5736	36°	12	1	3	S
0737	3737	5737	36°	12	1	4	S
0738	3738	5738	36°	12	1	5	S
0739	3739	5739	36°	12	1	6	S
0740	3740	5740	36°	12	1	7	S
0741	3741	5741	36°	12	1	8	S
0742	3742	5742	36°	12	1	9	S
0743	3743	5743	36°	12	1	10 <u>1/</u>	S
0744	3744	5744	36°	12	1	10	S
0745	3745	5745	45°	1	1	2	NS
0746	3746	5746	45°	1	1	3	NS
0747	3747	5747	45°	1	1	4	NS
0748	3748	5748	45°	1	1	5	NS
0749	3749	5749	45°	1	1	6	NS

MIL-DTL-3786/13G

Part No. M3786/13- Construction: E Temp. - life char: B	Part No. M3786/13- Construction: E Temp. - life char: C	Part No. M3786/13- Construction: F Temp. - life char: C	Angle of throw	No. of decks	Poles per deck	Pos. per pole	Switching char. (S or NS)
0750	3750	5750	45°	1	1	7	NS
0751	3751	5751	45°	1	1	8	NS
0752	3752	5752	45°	1	1	8 $\frac{1}{2}$	NS
0753	3753	5753	45°	1	2	2	NS
0754	3754	5754	45°	1	2	3	NS
0755	3755	5755	45°	1	2	4	NS
0756	3756	5756	45°	2	1	2	NS
0757	3757	5757	45°	2	1	3	NS
0758	3758	5758	45°	2	1	4	NS
0759	3759	5759	45°	2	1	5	NS
0760	3760	5760	45°	2	1	6	NS
0761	3761	5761	45°	2	1	7	NS
0762	3762	5762	45°	2	1	8	NS
0763	3763	5763	45°	2	1	8 $\frac{1}{2}$	NS
0764	3764	5764	45°	2	2	2	NS
0765	3765	5765	45°	2	2	3	NS
0766	3766	5766	45°	2	2	4	NS
0767	3767	5767	45°	3	1	2	NS
0768	3768	5768	45°	3	1	3	NS
0769	3769	5769	45°	3	1	4	NS
0770	3770	5770	45°	3	1	5	NS
0771	3771	5771	45°	3	1	6	NS
0772	3772	5772	45°	3	1	7	NS
0773	3773	5773	45°	3	1	8	NS
0774	3774	5774	45°	3	1	8 $\frac{1}{2}$	NS
0775	3775	5775	45°	3	2	2	NS
0776	3776	5776	45°	3	2	3	NS
0777	3777	5777	45°	3	2	4	NS
0778	3778	5778	45°	4	1	2	NS
0779	3779	5779	45°	4	1	3	NS
0780	3780	5780	45°	4	1	4	NS
0781	3781	5781	45°	4	1	5	NS
0782	3782	5782	45°	4	1	6	NS
0783	3783	5783	45°	4	1	7	NS
0784	3784	5784	45°	4	1	8	NS
0785	3785	5785	45°	4	1	8 $\frac{1}{2}$	NS
0786	3786	5786	45°	4	2	2	NS
0787	3787	5787	45°	4	2	3	NS
0788	3788	5788	45°	4	2	4	NS
0789	3789	5789	45°	5	1	2	NS
0790	3790	5790	45°	5	1	3	NS
0791	3791	5791	45°	5	1	4	NS
0792	3792	5792	45°	5	1	5	NS
0793	3793	5793	45°	5	1	6	NS
0794	3794	5794	45°	5	1	7	NS
0795	3795	5795	45°	5	1	8	NS
0796	3796	5796	45°	5	1	8 $\frac{1}{2}$	NS
0797	3797	5797	45°	5	2	2	NS
0798	3798	5798	45°	5	2	3	NS
0799	3799	5799	45°	5	2	4	NS
0800	3800	5800	45°	6	1	2	NS
0801	3801	5801	45°	6	1	3	NS
0802	3802	5802	45°	6	1	4	NS
0803	3803	5803	45°	6	1	5	NS

MIL-DTL-3786/13G

Part No. M3786/13- Construction: E Temp. - life char: B	Part No. M3786/13- Construction: E Temp. - life char: C	Part No. M3786/13- Construction: F Temp. - life char: C	Angle of throw	No. of decks	Poles per deck	Pos. per pole	Switching char. (S or NS)
0804	3804	5804	45°	6	1	6	NS
0805	3805	5805	45°	6	1	7	NS
0806	3806	5806	45°	6	1	8	NS
0807	3807	5807	45°	6	1	8 $\frac{1}{2}$	NS
0808	3808	5808	45°	6	2	2	NS
0809	3809	5809	45°	6	2	3	NS
0810	3810	5810	45°	6	2	4	NS
0811	3811	5811	45°	7	1	2	NS
0812	3812	5812	45°	7	1	3	NS
0813	3813	5813	45°	7	1	4	NS
0814	3814	5814	45°	7	1	5	NS
0815	3815	5815	45°	7	1	6	NS
0816	3816	5816	45°	7	1	7	NS
0817	3817	5817	45°	7	1	8	NS
0818	3818	5818	45°	7	1	8 $\frac{1}{2}$	NS
0819	3819	5819	45°	7	2	2	NS
0820	3820	5820	45°	7	2	3	NS
0821	3821	5821	45°	7	2	4	NS
0822	3822	5822	45°	8	1	2	NS
0823	3823	5823	45°	8	1	3	NS
0824	3824	5824	45°	8	1	4	NS
0825	3825	5825	45°	8	1	5	NS
0826	3826	5826	45°	8	1	6	NS
0827	3827	5827	45°	8	1	7	NS
0828	3828	5828	45°	8	1	8	NS
0829	3829	5829	45°	8	1	8 $\frac{1}{2}$	NS
0830	3830	5830	45°	8	2	2	NS
0831	3831	5831	45°	8	2	3	NS
0832	3832	5832	45°	8	2	4	NS
0833	3833	5833	45°	9	1	2	NS
0834	3834	5834	45°	9	1	3	NS
0835	3835	5835	45°	9	1	4	NS
0836	3836	5836	45°	9	1	5	NS
0837	3837	5837	45°	9	1	6	NS
0838	3838	5838	45°	9	1	7	NS
0839	3839	5839	45°	9	1	8	NS
0840	3840	5840	45°	9	1	8 $\frac{1}{2}$	NS
0841	3841	5841	45°	9	2	2	NS
0842	3842	5842	45°	9	2	3	NS
0843	3843	5843	45°	9	2	4	NS
0844	3844	5844	45°	10	1	2	NS
0845	3845	5845	45°	10	1	3	NS
0846	3846	5846	45°	10	1	4	NS
0847	3847	5847	45°	10	1	5	NS
0848	3848	5848	45°	10	1	6	NS
0849	3849	5849	45°	10	1	7	NS
0850	3850	5850	45°	10	1	8	NS
0851	3851	5851	45°	10	1	8 $\frac{1}{2}$	NS
0852	3852	5852	45°	11	1	2	NS
0853	3853	5853	45°	11	1	3	NS
0854	3854	5854	45°	11	1	4	NS
0855	3855	5855	45°	11	1	5	NS
0856	3856	5856	45°	11	1	6	NS
0857	3857	5857	45°	11	1	7	NS

MIL-DTL-3786/13G

Part No. M3786/13- Construction: E Temp. - life char: B	Part No. M3786/13- Construction: E Temp. - life char: C	Part No. M3786/13- Construction: F Temp. - life char: C	Angle of throw	No. of decks	Poles per deck	Pos. per pole	Switching char. (S or NS)
0858	3858	5858	45°	11	1	8	NS
0859	3859	5859	45°	11	1	8 <u>1/</u>	NS
0860	3860	5860	45°	12	1	2	NS
0861	3861	5861	45°	12	1	3	NS
0862	3862	5862	45°	12	1	4	NS
0863	3863	5863	45°	12	1	5	NS
0864	3864	5864	45°	12	1	6	NS
0865	3865	5865	45°	12	1	7	NS
0866	3866	5866	45°	12	1	8	NS
0867	3867	5867	45°	12	1	8 <u>1/</u>	NS
0868	3868	5868	45°	1	1	2	S
0869	3869	5869	45°	1	1	3	S
0870	3870	5870	45°	1	1	4	S
0871	3871	5871	45°	1	1	5	S
0872	3872	5872	45°	1	1	6	S
0873	3873	5873	45°	1	1	7	S
0874	3874	5874	45°	1	1	8	S
0875	3875	5875	45°	1	1	8 <u>1/</u>	S
0876	3876	5876	45°	1	2	2	S
0877	3877	5877	45°	1	2	3	S
0878	3878	5878	45°	1	2	4	S
0879	3879	5879	45°	2	1	2	S
0880	3880	5880	45°	2	1	3	S
0881	3881	5881	45°	2	1	4	S
0882	3882	5882	45°	2	1	5	S
0883	3883	5883	45°	2	1	6	S
0884	3884	5884	45°	2	1	7	S
0885	3885	5885	45°	2	1	8	S
0886	3886	5886	45°	2	1	8 <u>1/</u>	S
0887	3887	5887	45°	2	2	2	S
0888	3888	5888	45°	2	2	3	S
0889	3889	5889	45°	2	2	4	S
0890	3890	5890	45°	3	1	2	S
0891	3891	5891	45°	3	1	3	S
0892	3892	5892	45°	3	1	4	S
0893	3893	5893	45°	3	1	5	S
0894	3894	5894	45°	3	1	6	S
0895	3895	5895	45°	3	1	7	S
0896	3896	5896	45°	3	1	8	S
0897	3897	5897	45°	3	1	8 <u>1/</u>	S
0898	3898	5898	45°	3	2	2	S
0899	3899	5899	45°	3	2	3	S
0900	3900	5900	45°	3	2	4	S
0901	3901	5901	45°	4	1	2	S
0902	3902	5902	45°	4	1	3	S
0903	3903	5903	45°	4	1	4	S
0904	3904	5904	45°	4	1	5	S
0905	3905	5905	45°	4	1	6	S
0906	3906	5906	45°	4	1	7	S
0907	3907	5907	45°	4	1	8	S
0908	3908	5908	45°	4	1	8 <u>1/</u>	S
0909	3909	5909	45°	4	2	2	S
0910	3910	5910	45°	4	2	3	S
0911	3911	5911	45°	4	2	4	S

MIL-DTL-3786/13G

Part No. M3786/13- Construction: E Temp. - life char: B	Part No. M3786/13- Construction: E Temp. - life char: C	Part No. M3786/13- Construction: F Temp. - life char: C	Angle of throw	No. of decks	Poles per deck	Pos. per pole	Switching char. (S or NS)
0912	3912	5912	45°	5	1	2	S
0913	3913	5913	45°	5	1	3	S
0914	3914	5914	45°	5	1	4	S
0915	3915	5915	45°	5	1	5	S
0916	3916	5916	45°	5	1	6	S
0917	3917	5917	45°	5	1	7	S
0918	3918	5918	45°	5	1	8	S
0919	3919	5919	45°	5	1	8 $\frac{1}{2}$	S
0920	3920	5920	45°	5	2	2	S
0921	3921	5921	45°	5	2	3	S
0922	3922	5922	45°	5	2	4	S
0923	3923	5923	45°	6	1	2	S
0924	3924	5924	45°	6	1	3	S
0925	3925	5925	45°	6	1	4	S
0926	3926	5926	45°	6	1	5	S
0927	3927	5927	45°	6	1	6	S
0928	3928	5928	45°	6	1	7	S
0929	3929	5929	45°	6	1	8	S
0930	3930	5930	45°	6	1	8 $\frac{1}{2}$	S
0931	3931	5931	45°	6	2	2	S
0932	3932	5932	45°	6	2	3	S
0933	3933	5933	45°	6	2	4	S
0934	3934	5934	45°	7	1	2	S
0935	3935	5935	45°	7	1	3	S
0936	3936	5936	45°	7	1	4	S
0937	3937	5937	45°	7	1	5	S
0938	3938	5938	45°	7	1	6	S
0939	3939	5939	45°	7	1	7	S
0940	3940	5940	45°	7	1	8	S
0941	3941	5941	45°	7	1	8 $\frac{1}{2}$	S
0942	3942	5942	45°	7	2	2	S
0943	3943	5943	45°	7	2	3	S
0944	3944	5944	45°	7	2	4	S
0945	3945	5945	45°	8	1	2	S
0946	3946	5946	45°	8	1	3	S
0947	3947	5947	45°	8	1	4	S
0948	3948	5948	45°	8	1	5	S
0949	3949	5949	45°	8	1	6	S
0950	3950	5950	45°	8	1	7	S
0951	3951	5951	45°	8	1	8	S
0952	3952	5952	45°	8	1	8 $\frac{1}{2}$	S
0953	3953	5953	45°	8	2	2	S
0954	3954	5954	45°	8	2	3	S
0955	3955	5955	45°	8	2	4	S
0956	3956	5956	45°	9	1	2	S
0957	3957	5957	45°	9	1	3	S
0958	3958	5958	45°	9	1	4	S
0959	3959	5959	45°	9	1	5	S
0960	3960	5960	45°	9	1	6	S
0961	3961	5961	45°	9	1	7	S
0962	3962	5962	45°	9	1	8	S
0963	3963	5963	45°	9	1	8 $\frac{1}{2}$	S
0964	3964	5964	45°	9	2	2	S
0965	3965	5965	45°	9	2	3	S

MIL-DTL-3786/13G

Part No. M3786/13- Construction: E Temp. - life char: B	Part No. M3786/13- Construction: E Temp. - life char: C	Part No. M3786/13- Construction: F Temp. - life char: C	Angle of throw	No. of decks	Poles per deck	Pos. per pole	Switching char. (S or NS)
0966	3966	5966	45°	9	2	4	S
0967	3967	5967	45°	10	1	2	S
0968	3968	5968	45°	10	1	3	S
0969	3969	5969	45°	10	1	4	S
0970	3970	5970	45°	10	1	5	S
0971	3971	5971	45°	10	1	6	S
0972	3972	5972	45°	10	1	7	S
0973	3973	5973	45°	10	1	8	S
0974	3974	5974	45°	10	1	8 1/	S
0975	3975	5975	45°	11	1	2	S
0976	3976	5976	45°	11	1	3	S
0977	3977	5977	45°	11	1	4	S
0978	3978	5978	45°	11	1	5	S
0979	3979	5979	45°	11	1	6	S
0980	3980	5980	45°	11	1	7	S
0981	3981	5981	45°	11	1	8	S
0982	3982	5982	45°	11	1	8 1/	S
0983	3983	5983	45°	12	1	2	S
0984	3984	5984	45°	12	1	3	S
0985	3985	5985	45°	12	1	4	S
0986	3986	5986	45°	12	1	5	S
0987	3987	5987	45°	12	1	6	S
0988	3988	5988	45°	12	1	7	S
0989	3989	5989	45°	12	1	8	S
0990	3990	5990	45°	12	1	8 1/	S

1/ Continuous rotation.

Referenced Documents: MIL-DTL-3786

The margins of this specification are marked with vertical lines to indicate where modifications were made. This was done as a convenience only and the Government assumes no liability whatsoever for any inaccuracies in these notations. Bidders and contractors are cautioned to evaluate the requirements of this document based on the entire content irrespective of the marginal notations.

Custodians:
 Army - CR
 Navy - EC
 Air Force - 11
 DLA - CC

Preparing activity:
 DLA - CC
 (Project 5930-2008-004)

NOTE: The activities listed above were interested in this document as of the date of this document. Since organizations and responsibilities can change, you should verify the currency of the information above using the ASSIST Online database at <http://assist.daps.dla.mil>.