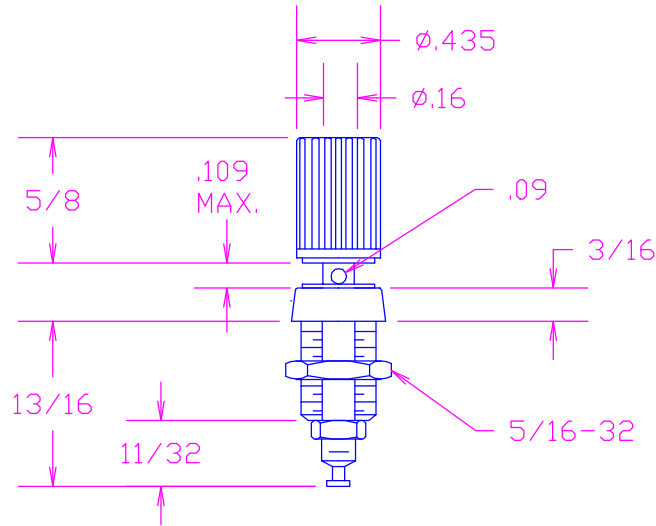


DATE	SYM	REVISION RECORD	AUTH.	DR.	CK.
5/28/97	-	ISSUED		NT	MM



MATERIAL: INSULATION- LEXAN
 NUT AND INSERTS- BRASS
 POST- BRASS
 FINISH: NUT AND INSERTS- NICKEL PL.
 POST- BRIGHT TIN

COLOR CODE:

- 10-BLACK
- 11-BROWN
- 12-RED
- 13-ORANGE
- 14-YELLOW
- 15-GREEN
- 16-BLUE
- 17-VIOLET
- 18-GRAY
- 19-WHITE

TOLERANCES (EXCEPT AS NOTED)	CONCORD ELECTRONICS CORPORATION		
DECIMAL XX = ±.01	P/N	SCALE	30 GREAT JONES ST. NEW YORK N.Y. 10012
FRACTIONAL ± 1/64	TITLE BINDING POST		
ANGULAR	DATE 9-7-95	DRAWING NUMBER 01-1044-1-02XX	