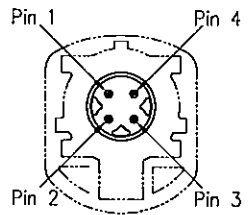
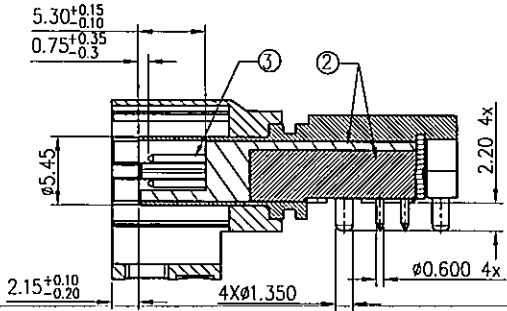
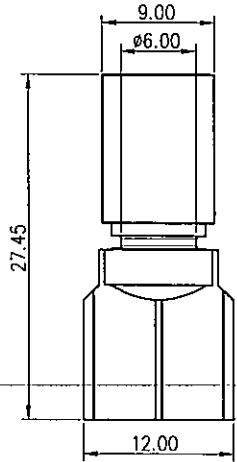


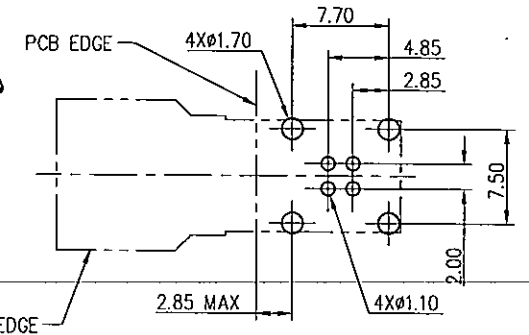
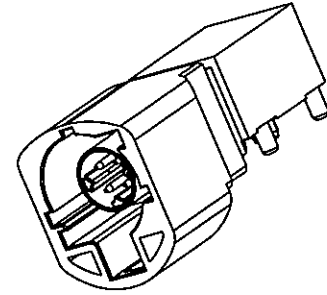
This document is the property of Amphenol Corporation and is delivered on the express condition that it is not to be disclosed, reproduced or used, in whole or in part, for manufacture or sale by anyone other than Amphenol Corporation without its prior consent, & that no right is granted to disclose or to use any information in this document.

CUSTOMER DRAWING

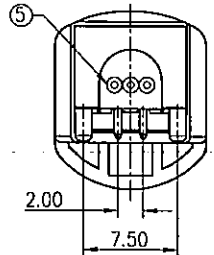
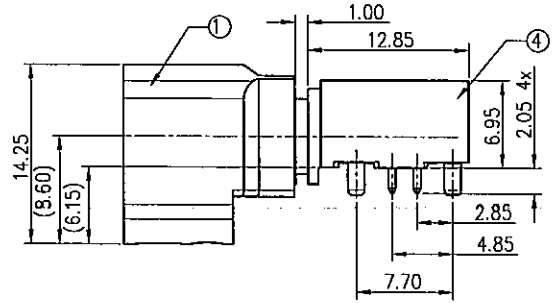
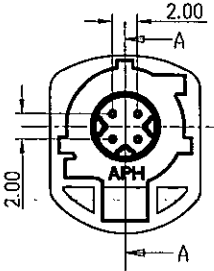
| REVISIONS | | | | |
|-----------|--------|-------------------------|----------|----------|
| SYM | ECN | DESCRIPTION | DATE | APPROVED |
| 2 | HK7488 | ADD PLATING INFORMATION | 11/21'16 | IP |



Pinning standard



RECOMMENDED PCB LAYOUT TOP VIEW
TOLERANCE: ±0.05(PCB THICKNESS=1.6±0.15mm)



Notes:

- Material:
 - ①Housing: High temperature thermoplastic,color see table 1.
 - ②Dielectrics: High temperature thermoplastic,color black.
 - ③Center contact: Copper alloy.
 - ④Outer contact : Zinc alloy.
 - ⑤Cover: Stainless Steel.
- Finish:
 - ③Center contact: Gold plated 0.15um min. on contact area & gold flash on soldering tail over 1um min. Ni underplating;
 - ④Outer contact : 4um Min. Solderable Ni plated over 10~17um Cu underplating.
- RoHS compliant.
- Order P/N system:

HSD SXRP PCB 12X

Coding: See table 1

Packing method:
A- Packing by tape & reel
B- Packing by tray
C- Single Packing



Table 1

| Plug | Coding | Color | Ral |
|------|--------|-----------|------|
| | A | Black | 9005 |
| | B | White | 9001 |
| | C | Blue | 5005 |
| | D | Claret | 4004 |
| | E | Green | 6002 |
| | F | Brown | 8011 |
| | Z | Waterblue | 5021 |

| Plug | Coding | Color | Ral |
|------|--------|---------------|------|
| | G | Grey | 7031 |
| | H | Violet | 4003 |
| | J | Beige | 1001 |
| | K | Curry | 1027 |
| | L | Yellow green | 6018 |
| | M | Pastel orange | 2003 |
| | O | Light green | 6027 |

| | | | |
|---------------------------------------------------------------------------------------------------------------------------------------------------------------------------------------------------------------------------------------------|---------------------------------------------------------------------|------------------|------------------------------------------------------------------------------------------------------------------------------------------|
| UNLESS OTHERWISE SPECIFIED TOLERANCES U.S. METRIC .X +/- 0.50 .XX +/- 0.25 .XXX +/- 0.20 FRACTIONS +/- 5' ANGLES +/- 5' FOR MATERIALS AND FINISHES SEE NOTES REMOVE SHARP EDGES DIMENSIONS U.S. INCHES METRIC MM | APPROVAL DRAWN KAKA.Y CHECKED CHECKED | DATE 11/21'16 | Amphenol TITLE HSD R/A PLUG LOW PROFILE CONNECTOR SOUTH LOCATION SIZE DRAWING NO. A4 HSD SXRP PCB 12X SCALE 1:1 SHEET 1 OF 1 |
| | DRAWING FILE : HSD R/A PLUG LOW PROFILE CONNECTOR SOUTH LOCATION | | |
| | ANGLE OF PROJECTION | | |
| | REV. 2 | | |