

This document is the property of Amphenol Corporation and is delivered on the express condition that it is not to be disclosed, reproduced or used, in whole or in part, for manufacture or sale by anyone other than Amphenol Corporation without its prior consent, and that no right is granted to disclose or to use any information in this document.

The marking on this product doesn't contain environmental hazardous materials per Material Specification SS-00259 for Sony GP compliant or per directive 2011/65/EU for RoHS compliant.

ORIGINAL

REVISIONS				
SYM	ECN No.	DESCRIPTION	DATE	BY
A	NE-14070	NEW RELEASE	04/28/2014	HANK HSU

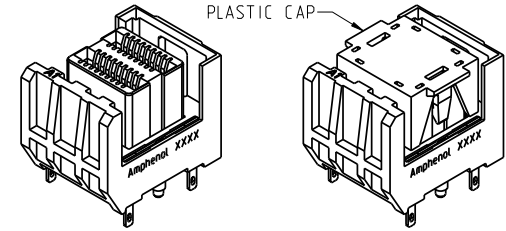
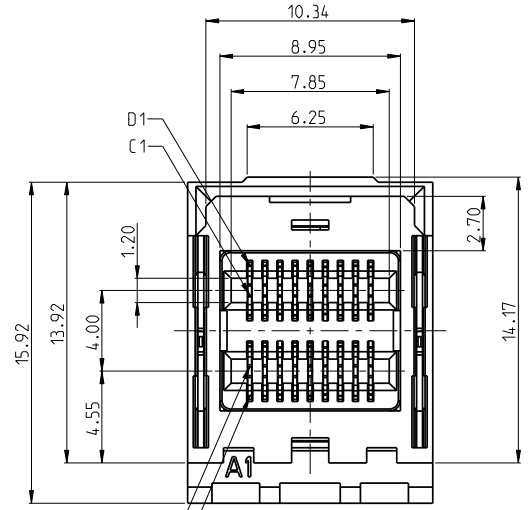


TABLE 1

DIM A	APPLICABLE PCB THK
2.40	1.57~1.60
3.59	2.36~2.79
3.98	3.18

PART NUMBER SYSTEM

G40H C X X X X X XX - X

Mini SAS HD Integrated Connector

Connector Style
C: V/T, w/anti-reverse wall
85 Ohm

Number of Integration
X: OPTION
1: 1X1
2: 1X2

Contact Finish
X: OPTION
3: 50u" Gold

Terminal Style
X: OPTION
2: SMT, 100u" MIN
MATTE TIN PLATING

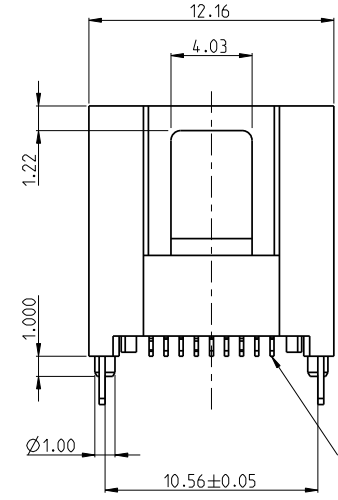
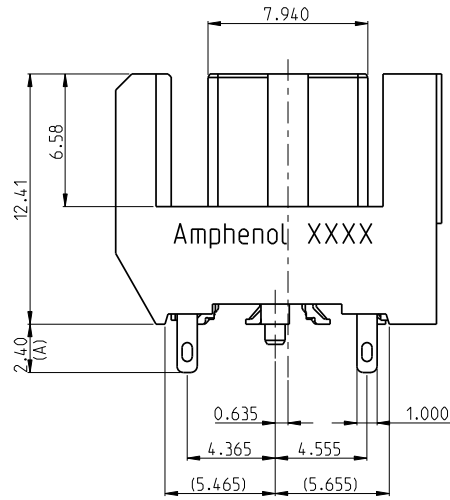
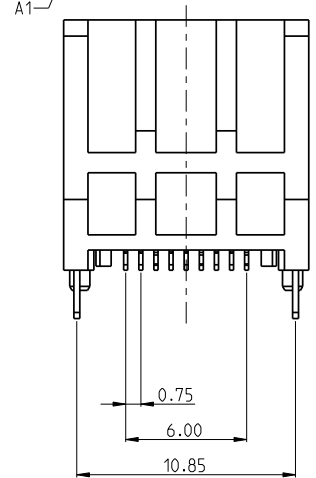
Verification Code
X: OPTION
BLANK: STANDARD

Compliant Code
XX: OPTION
HR: Halogen-Free & RoHS

BOARDLOCK CODE
X: OPTION
1: 2.40 mm
2: 3.59 mm
3: 3.98 mm

Variation Code
X: OPTION
1: with Cap
2: without Cap

Packing Code
X: OPTION
1: Tray
2: Tape & Reel
3: Narrow Tray



- NOTES:
- INSULATOR: HIGH TEMPERATURE THERMOPLASTIC
UL94V-0, COLOR: NC(BRACKET), BK(HOUSING)
 - TERMINAL: COPPER ALLOY
CONTACT AREA: OPTION
TAIL AREA: OPTION
UNDER PLATING: NICKEL 100u" MIN.
 - THIS PRODUCT DOESN'T CONTAIN ENVIRONMENTAL HAZARDOUS PER DIRECTIVE 2011/65/EU FOR RoHS AND PER IEC 61249-2-21 FOR HALOGEN-FREE COMPLIANT.

TOLERANCE	DRAWN	APPROVALS	DATE	TITLE	UNIT	SIZE	PART No.
X. X.X ±0.30 X.XX ±0.20 X.XXX ±0.10	DESIGNED	Hank Hsu	04/28/2014	MINI SAS HD INTEGRATED CONNECTOR 0.75 PITCH, V/T, SMT TYPE	mm	A3	G40HCXXXXXXHR
	CHECKED	Sondra Sang	04/28/2014		SCALE	SHEET	DWG No.
ANGULAR ±2°	APPROVED	Hank Hsu	04/28/2014		NA	1 OF 3	G40HCXXXXXXHR
UNLESS OTHERWISE SPECIFIED	DWG TYPE	CUST DWG	PROJECT CODE				REV.
			1515				A

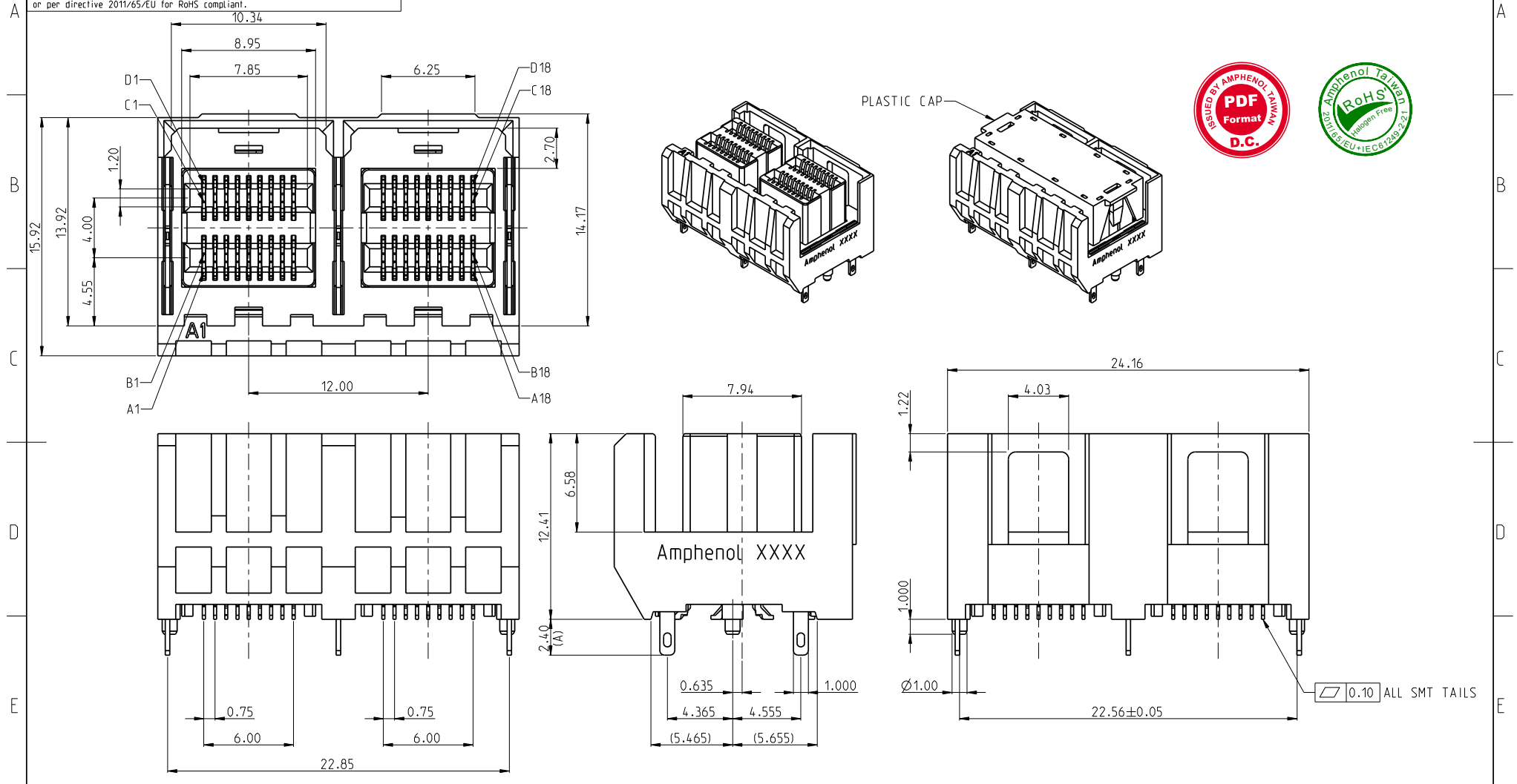
Amphenol®
Amphenol Corporation
Amphenol Taiwan Corporation

ORIGINAL

REVISIONS				
SYM	ECN No.	DESCRIPTION	DATE	BY
A	NE-14070	NEW RELEASE	04/28/2014	HANK HSU

This document is the property of Amphenol Corporation and is delivered on the express condition that it is not to be disclosed, reproduced or used, in whole or in part, for manufacture or sale by anyone other than Amphenol Corporation without its prior consent, and that no right is granted to disclose or to use any information in this document.

The marking on this product doesn't contain environmental hazardous materials per Material Specification SS-00259 for Sony GP compliant or per directive 2011/65/EU for RoHS compliant.



TOLERANCE	DRAWN	APPROVALS	DATE	TITLE	Amphenol® Amphenol Corporation Amphenol Taiwan Corporation			
X. X.X ±0.30 X.XX ±0.20 X.XXX ±0.10	DESIGNED	Hank Hsu	04/28/2014	MINI SAS HD INTEGRATED CONNECTOR 0.75 PITCH, V/T, SMT TYPE	UNIT	SIZE	PART No.	G40HCXXXXXXHR
	CHECKED	Sondra Sang	04/28/2014		mm	A3	DWG No.	
	APPROVED	Hank Hsu	04/28/2014		NA	SHEET 2 OF 3	REV. A	
ANGULAR ±2°	DWG TYPE	CUST DWG	PROJECT CODE	1515	SCALE			
UNLESS OTHERWISE SPECIFIED								

