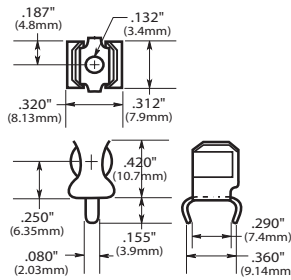


1AXXXX

PCB Fuse-clips for ATC/ATM Blade, 5 mm, 1/4" & 13/32" diameter fuses

For 1/4" Diameter Fuses

1A1119 Series
With End Stops and Angled-In leads
Dimensions - in (mm)

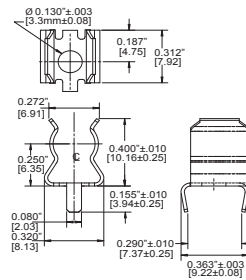


Catalog Number*	Clip Mat.**	Finish
1A1119-04	High Performance Cu'	Bright Tin
1A1119-05	High Performance Cu'	Silver
1A1119-10	Cart. Brass	Bright Tin

* For RoHS compliant version of "-04" and "-10" add "-R" option code suffix to part number. 1A1119-05 is RoHS compliant.
** High Performance Cu = High Performance Copper, Cart. Brass = Cartridge Brass
† High Performance Cu recommended for currents higher than 15 amps.

RoHS

1A1120 Series
Without End Stops and Angled-In Leads
Dimensions - in (mm)

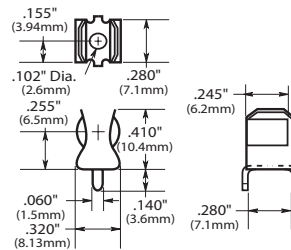


Catalog Number*	Clip Mat.**	Finish
1A1120-02	Cart. Brass	Bright Dip
1A1120-05	High Performance Cu'	Silver
1A1120-06	High Performance Cu'	Bright Tin
1A1120-09	Cart. Brass	Bright Tin

* For RoHS compliant version of "-02," "-06" and "-09" add "-R" option code suffix to part number. 1A1120-05 is RoHS compliant.
** High Performance Cu = High Performance Copper, Cart. Brass = Cartridge Brass
† High Performance Cu recommended for currents higher than 15 amps.

RoHS

1A1907 Series
With End Stops & Straight Leads
Dimensions - in (mm)

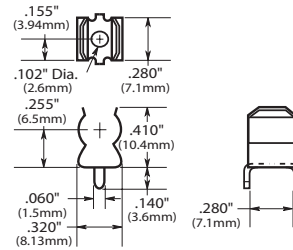


Catalog Number*	Clip Mat.**	Finish
1A1907-02	Cart. Brass	None Bright Dipped
1A1907-03	High Performance Cu'	Bright Tin
1A1907-05	High Performance Cu'	Silver
1A1907-06	Cart. Brass	Bright Tin

* For RoHS compliant version of "-02," "-03" and "-06" add "-R" option code suffix to part number. 1A1907-05 is RoHS compliant.
** High Performance Cu = High Performance Copper, Cart. Brass = Cartridge Brass
† High Performance Cu recommended for currents higher than 15 amps.

RoHS

1A3398 Series
Without End Stops & Straight Leads
Dimensions - in (mm)

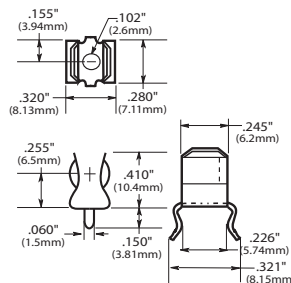


Catalog Number*	Clip Mat.**	Finish
1A3398-07	Cart. Brass	Bright Tin

* For RoHS compliant version of "-07" add "-R" option code suffix to part number.
** Cart. Brass = Cartridge Brass

RoHS

1A4534 Series
With End Stops & Angled Out Leads
Dimensions - in (mm)

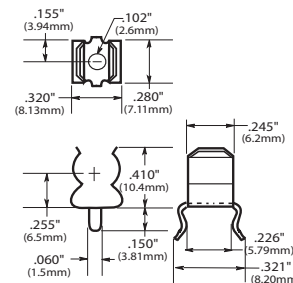


Catalog Number*	Clip Mat.**	Finish
1A4534-01	High Performance Cu'	Bright Tin
1A4534-06	Cart. Brass	Bright Tin

* For RoHS compliant version add "-R" option code suffix to part number.
** High Performance Cu = High Performance Copper, Cart. Brass = Cartridge Brass
† High Performance Cu recommended for currents higher than 15 amps.

RoHS

1A4533 Series
Without End Stops & Angled Out Leads
Dimensions - in (mm)



Catalog Number*	Clip Mat.**	Finish
1A4533-01	High Performance Cu'	Bright Tin
1A4533-06	Cart. Brass	Bright Tin

* For RoHS compliant version add "-R" option code suffix to part number.
** High Performance Cu = High Performance Copper, Cart. Brass = Cartridge Brass
† High Performance Cu recommended for currents higher than 15 amps.

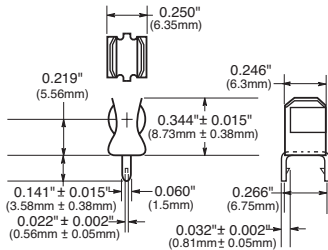
RoHS



Powering Business Worldwide

For 5mm Diameter Fuses

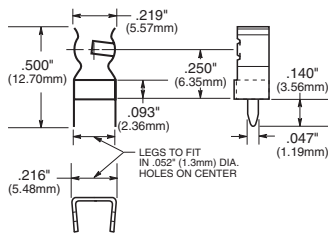
1A5601 Series (0 to 7 amps)
Dimensions - in (mm)



Catalog Number	Clip Mat.*	Finish
1A5601	Cart. Brass	Bright Tin

* Cart. Brass = Cartridge Brass

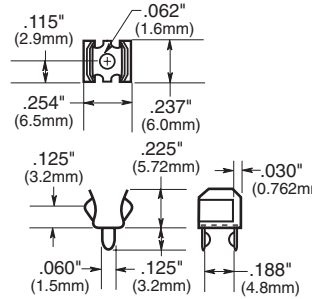
1A5602 Series (0 to 7 Amps)
Dimensions - in (mm)



Catalog Number	Clip Mat.*	Finish
1A5602	Cart. Brass	Bright Tin

* Cart. Brass = Cartridge Brass

1A3399 and 1A5018 Series
With Straight Leads
Dimensions - in (mm)



Catalog Number*	Clip Mat.**	Finish
1A3399-10	Spg. Br.	Bright Tin
1A3399-01	BeCu†	Silver
1A3399-04	BeCu†	Bright Tin

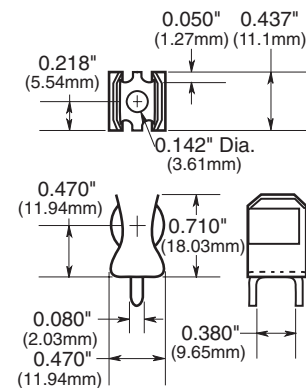
* For RoHS compliant version of "-10" and "-04" add "-R" option code suffix to part number. 1A3399-01 is RoHS compliant.
** Spg. Br. - Spring Bronze, BeCu = Beryllium Copper
† Beryllium Copper recommended for currents higher than 15 amps.

Catalog Number*	Clip Mat.**	Finish
1A5018-10	Spg. Br.	Bright Tin
1A5018-07	Spg. Br.	Silver

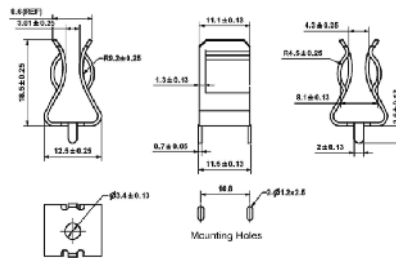
* For RoHS compliant version of "-10" add "-R" option code suffix to part number. 1A5018-07 is RoHS compliant.
** Spg. Br. - Spring Bronze

Specifications
5mm PCB Mount Fuseclips
Current Rating: 15A
Voltage Rating: 500Vac
PCB Terminals: Solder Lug

For 13/32" Diameter Fuses
1A3400 Series
With End Stops & Straight Leads
Dimensions - in (mm)



1A3400-09 & 1A3400-10



1A3400-12

Specifications:

Catalog Number*	Clip Material	Finish	Amp Rating
1A3400-09	Copper-Clad Steel	Bright Tin	20A Max.
1A3400-10	Copper-Clad Steel	Silver	30A Max.
1A3400-12	Spring Brass	Bright Tin	15A Max.

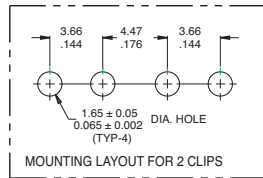
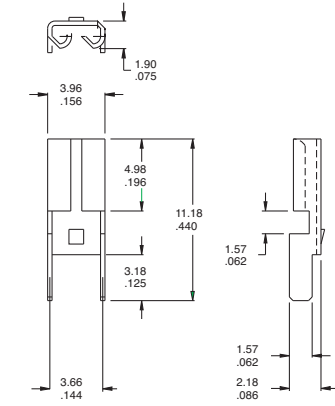
* For RoHS compliant version of "-09" and "-12" add "-R" option code suffix to part number. 1A3400-10 is RoHS compliant.

PCB Fuse-clips for ATC/ATM Blade, 5 mm, 1/4" & 13/32" diameter fuses

ATM Fuses

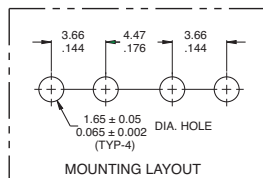
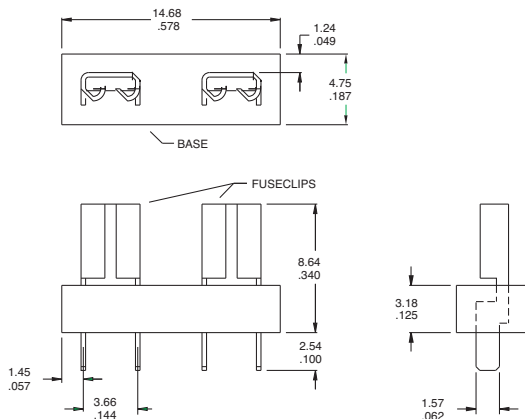
1A5778 Series

Dimensions - mm (in)



MATERIAL: BRASS, NICKEL PLATED, .30
.012 THICK

1A5779 Series



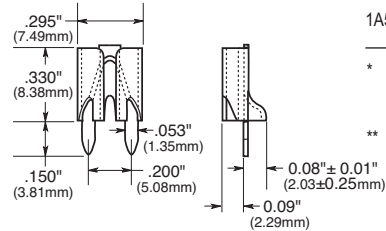
SPECIFICATIONS

FUSECLIPS	BRASS, NICKEL PLATED
BASE MATERIAL	GLASS FILLED NYLON, UL RATED 94V-0
CURRENT RATING	15 AMPS
VOLTAGE RATING	500V AC
TEMPERATURE RATING	-50°C TO 145°C -58°F TO 292°F

ATC Fuses (0 to 20 Amps)

1A5600 Series

Dimensions - in (mm)

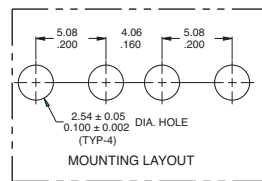
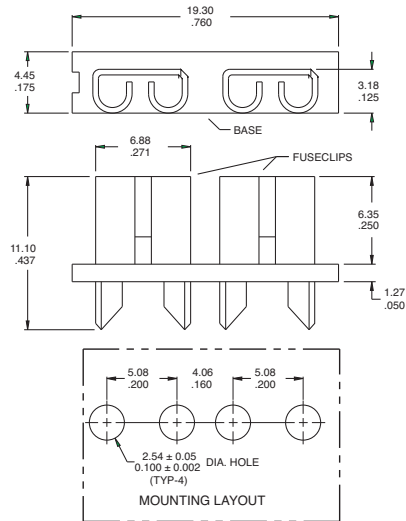


Catalog Number*	Clip Mat.**	Finish
1A5600	Cart. Brass	Satin Finish Tin

* For RoHS compliant version add "-R" option code suffix to part number. 1A3399-01 is RoHS compliant.
** Cart. Brass = Cartridge Brass

1A5780 Series

Dimensions - mm (in)

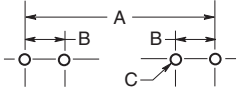


SPECIFICATIONS

FUSECLIPS	BRASS, NICKEL PLATED
BASE MATERIAL	GLASS FILLED NYLON, UL RATED 94V-0
CURRENT RATING	15 AMPS
VOLTAGE RATING	500V AC
TEMPERATURE RATING	-50°C TO 145°C -58°F TO 292°F

Fuseclip Catalog Numbers

Recommended Pad Layout Dimensions - in (mm)



Dimensions

Catalog Number	A						ATC	ATM	B Tabs	C (4 holes)	Board Thickness
	7/8"	1"	1 1/4"	1 3/8"	1 1/2"	20mm					
1A5778-	—	—	—	—	—	—	—	0.464" (11.79)	0.144" (3.66)	0.065±0.002" (1.65±0.05)	0.062" (1.57)
1A5779-	—	—	—	—	—	—	—	0.464" (11.79)	0.144" (3.66)	0.065±0.002" (1.65±0.05)	0.062" (1.57)
1A5780-	—	—	—	—	—	—	0.560 (14.22)	—	0.200" (5.08)	0.100±0.002" (2.54±0.05)	0.062" (1.57)
1A3398-	1.00"	1.125"	1.375"	—	—	—	—	—	0.295"-0.305"	0.067"-0.070"	0.093"
1A1907-	(25.40)	(28.58)	(34.920)	—	—	—	—	—	(7.49-7.75)	(1.70-1.78)	(2.36)
1A1119-	1.00"	1.125"	1.375"	—	—	—	—	—	0.295"-0.305"	0.093±0.002"	0.062" to 0.125"
	(25.40)	(28.58)	(34.92)	—	—	—	—	—	(7.49-7.75)	(2.36±0.05)	(1.57to3.18)
1A1120-	1.00"	1.125"	1.375"	—	—	—	—	—	0.295"-0.305"	0.093±0.002"	0.062" to 0.125"
	(25.40)	(28.58)	(34.920)	—	—	—	—	—	(7.49-7.75)	(2.36±0.05)	(1.57 to 3.18)
1A3399-	—	—	—	—	—	0.875" (22.23)	—	—	0.200" (5.08)	0.067"-0.070"	0.093" (2.36)
1A3400-	—	—	—	1.50" (38.10)	1.625" (41.28)	—	—	—	0.405" (10.29)	0.091"-0.095"	0.125" (3.18)
1A4533-	1.00"	1.125"	1.375"	—	—	—	—	—	0.300" (7.62)	0.067"-0.070"	0.062" (1.57)
	(25.40)	(28.58)	(34.920)	—	—	—	—	—	(7.62)	(1.70-1.78)	(1.57)
1A4534-	1.00"	1.125"	1.375"	—	—	—	—	—	0.300" (7.62)	0.067"-0.070"	0.062" (1.57)
	(25.40)	(28.58)	(34.920)	—	—	—	—	—	(7.62)	(1.70-1.78)	(1.57)
1A5018-	—	—	—	—	—	0.820±0.015" (20.80±0.38)	—	—	0.180" (4.6)	0.053"-0.002"	0.093" (2.36)
	—	—	—	—	—	—	—	—	(4.6)	(1.35-0.05)	(2.36)
1A5600-	—	—	—	—	—	—	—	—	0.200" (5.08)	0.052±0.003" (1.32±0.077)	0.125"max. (3.18)
	—	—	—	—	—	—	—	—	(5.08)	(1.32±0.077)	(3.18)
1A5601-	—	—	—	—	—	0.820±0.015" (20.80±0.38)	—	—	0.266" (6.76)	0.067±0.003"	0.062" (1.57)
	—	—	—	—	—	—	—	—	(6.76)	(1.70±0.074)	(1.57)
1A5602-	—	—	—	—	—	—	—	—	0.220" (5.588)	—	0.125"max. (3.175)
	—	—	—	—	—	—	—	—	(5.588)	—	(3.175)

Life Support Policy: Eaton does not authorize the use of any of its products for use in life support devices or systems without the express written approval of an officer of the Company. Life support systems are devices which support or sustain life, and whose failure to perform, when properly used in accordance with instructions for use provided in the labeling, can be reasonably expected to result in significant injury to the user.

Eaton reserves the right, without notice, to change design or construction of any products and to discontinue or limit distribution of any products. Eaton also reserves the right to change or update, without notice, any technical information contained in this bulletin.

Eaton
Electronics Division
1000 Eaton Boulevard
Cleveland, OH 44122
United States
www.eaton.com/electronics

© 2017 Eaton
All Rights Reserved
Printed in USA
Publication No. 2131 BU-SB14048
May 2017

Eaton is a registered trademark.

All other trademarks are property of their respective owners.